

NOTE: Check all parts for shipping damages before using. In case of damage, do NOT use the equipment. Contact the Equipment Supplier for further instructions.

**SAFETY SUMMARY**

WARNING/CAUTIONS notices apply to hazards or unsafe practices which could result in minor personal injury and/or property damage.

**WARNING**

DO NOT install this equipment without first reading and understanding this instruction sheet. If you are unable to understand these instructions, contact a healthcare professional, dealer or technical personnel if applicable before attempting to install this equipment - otherwise, injury or damage may occur.

The position of the Personal Back in the three (3) different mounting bracket slots is directly related to the chair's stability. When the Personal Back is added to a TILT and/or RECLINING chair, it may cause a decrease in the chair's stability. It may be necessary to reposition the FRONT CASTERS, REAR WHEELS, BACK ANGLE, TILT-IN-SPACE, RECLINE POSITION and/or SEAT DEPTH before use. Use EXTREME caution when using a new seating position.

Your therapist and physician should be consulted if you have any questions regarding individual limitations and needs.

Working with your therapist, physician, and equipment supplier is the best way to assure that a Personal Back choice matches your individual needs.

As the needs of the individual become more complex, the Personal Back evaluation becomes more important.

**NOTICE**

Information contained in this document is subject to change without notice.

**INTRODUCTION**

The Personal Back is designed to provide the user with posture support and spinal alignment. The cover is made from a water repellant fabric to protect the foam.

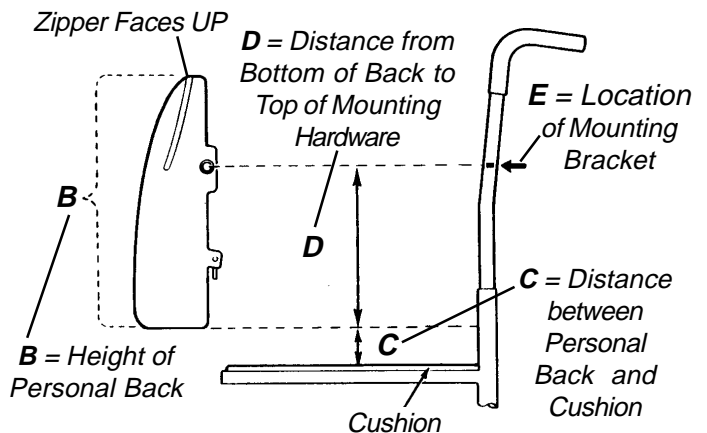
**DETERMINING THE MOUNTING POSITION FOR INSTALLATION OF PERSONAL BACK (FIGURE 1)**

1. Remove back from the shipping container.
2. Remove hardware that secures the upholstery to the back canes.
3. To obtain back height required after physical assessment by therapist (A), use the following formula (FIGURE 1):

$$\text{Total Back Height Required by Therapist - (A)} = \text{Height of Personal Back (Area B)} + \text{Distance between Personal Back and Seat Cushion (Area C)}$$

$$\text{Distance between Personal Back and Seat Cushion (Area C)} = \text{Distance from Bottom of Back to Top Mounting Hardware (Area D)} + \text{Location of Mounting Bracket (Area E)}$$

4. Measure the **Total Height of the Personal Back (Area B)**.
5. Subtract the **Total Height of the Personal Back (Area B)** from the **Total Back Height Required by the Therapist (A)**. This gives you **Distance between the bottom of the Personal Back and Cushion (Area C)**.
6. Measure the **Distance from the Bottom of Back to Top Mounting Hardware (Area D)**.
7. Add **Area D (STEP 6)** and **Area C (STEP 5)** together. This will determine how much additional height is needed and **Location of Mounting Bracket (Area E)**.
8. Measure the distance from the cushion to the chair frame/back canes (**Area E, STEP 7**) and mark (**both sides**) on the inside of the chair frame/back canes.



**FIGURE 1 - DETERMINING THE MOUNTING POSITION FOR INSTALLATION OF PERSONAL BACK**

# PERSONAL BACK/PERSONAL BACK PLUS MOUNTING HARDWARE INSTALLATION

This kit includes the following:

DESCRIPTION	QUANTITY
Multi-Position Mounting Plates	2
Short Bolts-Phillips Head	4
Nylon Locknuts	4
Long Bolts	4
Regular Nuts	4
L-Brackets	2
Clamp Inserts	4
Half-Clamps for 1-inch (25mm) Tubes	4

*NOTE: Not all parts are required for each installation. Read instructions carefully.*

## WARNING

**DO NOT** attempt to modify the 1-inch (25mm) clamps to fit ¾-inch (19mm) diameter tubing.

### Installation on Wheelchairs with 1-inch (25mm) Diameter Back Canes (FIGURE 2)

<b>Have the following tools available:</b>	
1/8-inch Allen Key	
3/8-inch Crescent or Box Wrench	
<b>Parts Required:</b>	<b>Quantity</b>
Multi-Position Mounting Plates	2
1-inch (25mm) Half-Clamps	4
Clamp Inserts	4
Long Bolts	4
Nylon Locknuts	4

- Determine back height. Refer to DETERMINING THE MOUNTING POSITION FOR INSTALLATION OF PERSONAL BACK in this instruction sheet.
- Insert two (2) long bolts (from the inside) through the small holes on the mounting plate, then through the half-clamps. Tighten down nuts to secure clamp.
- Perform one (1) of the following:
  - Half-clamps tight - proceed to next step.
  - Half-clamps loose - refer to INSTALLATION ON WHEELCHAIRS WITH 7/8-INCH (22MM) DIAMETER BACK CANES.

*NOTE: Clamp should dig into cane.*

- Repeat the procedure for the other side, ensuring that both sides are matched for height, and are parallel to each other.
- Check all nuts for tightness.

*NOTE: The clamp-on bracket is easily adjusted by loosening the bolt and sliding the brackets up or down on the back cane to obtain proper height adjustment.*

- Install Personal Back. Refer to PERSONAL BACK/PERSONAL BACK PLUS INSTALLATION in this instruction sheet.

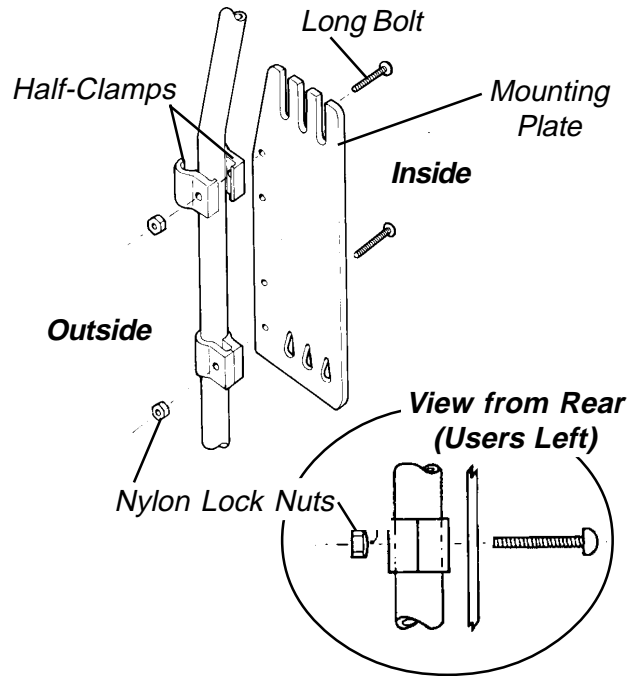


FIGURE 2 - INSTALLATION ON WHEELCHAIRS WITH 1-INCH (25MM) DIAMETER BACK CANES

### Installation on Wheelchairs with 7/8-Inch (22mm) Diameter Back Canes (FIGURE 3)

*NOTE: This procedure should be performed ONLY if cane clamps are too large for the back cane tubing.*

- Insert two (2) long bolts (from the inside) through the small holes on the mounting plate, then through the half-clamps. Refer to FIGURE 2.
- Position one (1) insert onto the back cane with the insert opening facing the back of the wheelchair.
- Slide the cane clamp over the insert until the cane clamp halves surround the insert as shown in FIGURE 3, DETAIL "A".
- Tighten down nuts to secure clamp.
- Perform one (1) of the following:
  - Half-clamps tight - proceed to next step.
  - Half-clamps loose - refer to INSTALLATION ON WHEELCHAIRS USING L-SHAPED BRACKETS.

- Repeat STEPS 1 - 4 for remaining half-clamps, ensuring that both sides are matched for height, and are parallel to each other.
- Install Personal Back. Refer to PERSONAL BACK/ PERSONAL BACK PLUS INSTALLATION in this instruction sheet.

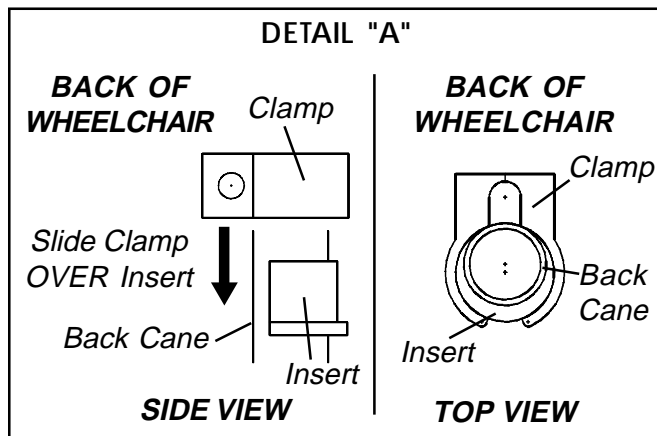
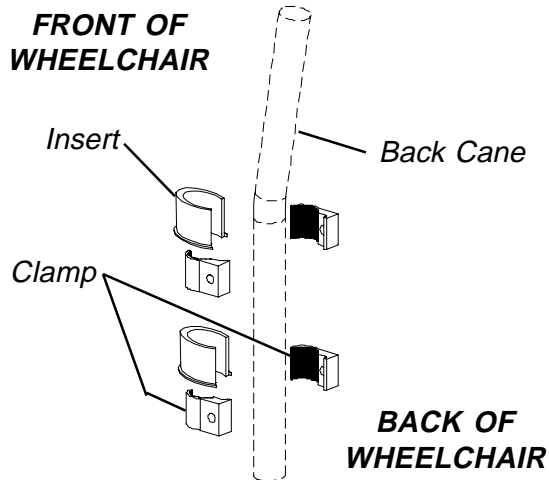


FIGURE 3 - INSTALLATION ON WHEELCHAIRS WITH 7/8-INCH (22MM) DIAMETER BACK CANES

### Installation on Wheelchairs Using L-Shaped Brackets (FIGURE 4)

<b>Have the following tools available:</b>	
Phillips Head Screwdriver	
3/8-inch Crescent/Box Wrench	
<b>Parts Required:</b>	<b>Quantity</b>
Multi-Position Plate	2
L-Brackets	2
Short Phillips Head Bolts	4
Locknuts	4

- Determine back height. Refer to DETERMINING THE MOUNTING POSITION FOR INSTALLATION OF PERSONAL BACK in this instruction sheet.

- Secure the L-shaped brackets to the back canes using existing upholstery holes and existing hardware.
- Ensure that the top of the mounting plate when installed to the L-shaped bracket is 1/2-inch (1.2 cm) higher than the mark determined in STEP 8 of DETERMINING THE MOUNTING POSITION FOR INSTALLATION OF PERSONAL BACK in this instruction sheet (DETAIL "A", FIGURE 4).
- Install two (2) short bolts (from the inside) through the small holes on mounting plate, then through L-shaped bracket. Tighten down locknuts to secure mounting plate to L-shaped bracket.
- Repeat the procedure for the other side, ensuring that both side are matched for height, and are parallel to each other.
- Install Personal Back. Refer to PERSONAL BACK/ PERSONAL BACK PLUS INSTALLATION in this instruction sheet.

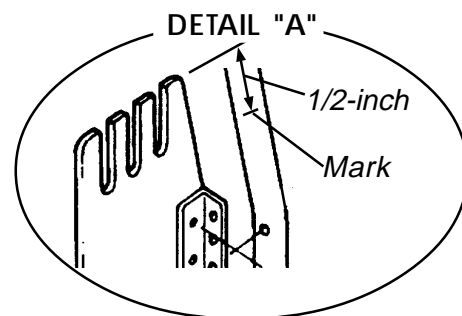
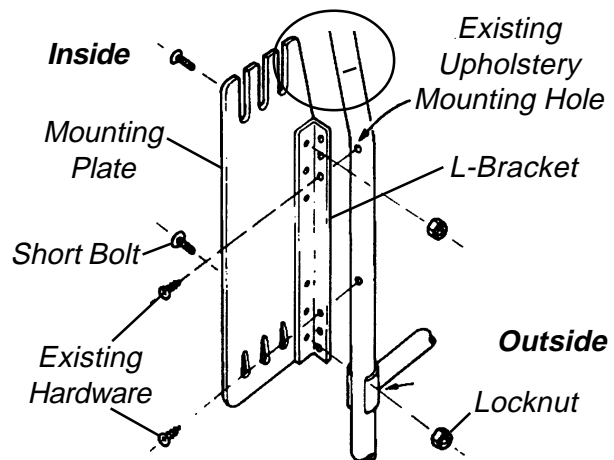


FIGURE 4 - INSTALLATION ON WHEELCHAIRS USING L-SHAPED BRACKETS

## USE OF THE PERSONAL BACK

The Personal Back includes a movable foam lumbar and left and right foam laterals attached to the back shell with hook and loop fasteners to provide additional positioning capability. To access the lumbar and the laterals, unzip the cover and push the foam forward, away from the back of the shell. The lumbar and laterals will then be accessible for making adjustments.

## PERSONAL BACK/PERSONAL BACK PLUS INSTALLATION (FIGURE 5)

### WARNING

The position of the Personal Back in the three (3) different mounting bracket slots is directly related to the chair's stability. When the Personal Back is added to a TILT and/or RECLINING chair, it may cause a decrease in the chair's stability. It may be necessary to reposition the FRONT CASTERS, REAR WHEELS, BACK ANGLE, TILT-IN-SPACE, RECLINE POSITION and/or SEAT DEPTH before use. Use EXTREME caution when using a new seating position.

1. Install the Personal Back onto the mounting plate so that the upper studs locate into the appropriate slots.
2. Turn bottom mounting pin until tear drop aligns with mounting hole.
3. Install bottom mounting pins into one (1) of the three (3) sets of tear drop holes in the bottom of the mounting bracket.
4. To lock, rotate the mounting pins to the downward position.

### WARNING

Make sure hook and loop straps are securely holding the levers. The Personal Back may come loose if the levers are not locked down.

5. Secure mounting pins from rotating with hook and loop straps on back of cover.
6. To remove the Personal Back, reverse **STEPS 1-5**.

*NOTE: Mark the upper and lower mounting positions of the Personal Back mounting bracket for reference by family or caregivers.*

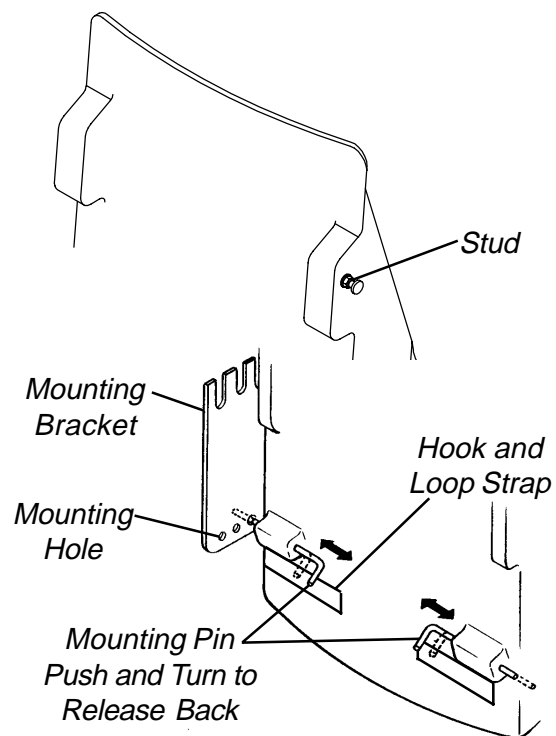


FIGURE 5 - PERSONAL BACK/PERSONAL BACK PLUS INSTALLATION

## Headrest Installation

Headrests may be installed on the Personal Back. The Headrest Reinforcement Plate **MUST** be used and is available separately.

## PERSONAL BACK MAINTENANCE

### WARNING

**DO NOT** continue to use this product if problems are discovered. Corrective maintenance can be performed at or arranged through your equipment supplier.

## Cleaning Instructions

### BACK ASSEMBLY.

Clean weekly with dampened cloth. Wipe entire surface.

Weekly visual inspection of parts including hardware, brackets, upholstery materials, foams (if accessible), and plastics, for deformation, corrosion, breakage, wear or compression.

Check ALL fasteners weekly to ensure that mechanical connections are secure.

---

**COVER.**

**CAUTION**

Machine wash cold. Gentle cycle. Mild detergent. NO fabric softeners or bleach. DO NOT machine dry. Air dry ONLY out of sun.

**WARNING**

The cover is designed to protect the foam against a user's incontinence and to provide fire retardancy so the cushion must not be used without its cover. If the cover is torn, it must be replaced.

**FOAM.**

If the back foam becomes contaminated because of incontinence, the back should be replaced because the foam is absorbent and cannot be cleaned. The foam cannot be replaced independently because it is permanently adhered to the back shell.

---

**UNITED KINGDOM LIMITED WARRANTY**

This warranty is extended only to the original purchaser of our products and does not affect statutory rights.

Invacare UK warrants the foam cushion to be free from defects for a period of two (2) years from the date of purchase. The cushion cover is warranted for a period of ninety (90) days from date of purchase. With regard to the original purchaser/user only, Invacare UK warrants its metal fabricated hardware components to be free from defects in materials and workmanship for the lifetime of the product except any wood, foam plastic or upholstered components. If within such warranty period the product shall be proven to Invacare UK's / Invacare Service Representative reasonable satisfaction to be defective, it shall be repaired or replaced, at Invacare UK's / Invacare Service Representative option; Invacare UK's / Invacare Service Representative sole obligation, and your exclusive remedy under this warranty being limited to such repair or replacement.

For warranty service, please contact Invacare UK's Service Department / Invacare Service Representative during normal working hours. Upon receiving notice of an alleged defect in a product, Invacare UK / Invacare Service Representative will issue a serialized return authorization. The product shall then be returned to either Invacare plant or service center as specified by Invacare UK / Invacare Service Representative. Defective component part(s) must be returned for warranty inspection using the serial number as identification within thirty (30) days of return authorization date. DO NOT return products to our factory without prior consent.

LIMITATIONS AND EXCLUSIONS: THE FOREGOING WARRANTY DOES NOT COVER NORMAL WEAR AND TEAR AND SHALL NOT APPLY TO PRODUCTS SUBJECTED TO NEGLIGENCE, ACCIDENT, IMPROPER OPERATION, MAINTENANCE OR STORAGE, COMMERCIAL OR INSTITUTIONAL USE, PRODUCTS MODIFIED WITHOUT INVACARE'S EXPRESS WRITTEN CONSENT (INCLUDING, BUT NOT LIMITED TO, MODIFICATION THROUGH THE USE OF UNAUTHORIZED PARTS OR ATTACHMENTS) OR TO PRODUCTS DAMAGED BY REASON OF REPAIRS MADE TO ANY COMPONENT WITHOUT THE SPECIFIC CONSENT OF INVACARE UK / INVACARE SERVICE REPRESENTATIVE.

---

## **UNITED STATES LIMITED WARRANTY**

**PLEASE NOTE: THE WARRANTY BELOW HAS BEEN DRAFTED TO COMPLY WITH FEDERAL LAW APPLICABLE TO PRODUCTS MANUFACTURED AFTER JULY 4, 1975.**

**This warranty is extended only to the original purchaser/user of our products.**

**This warranty gives you specific legal rights and you may also have other legal rights which vary from state to state.**

**Invacare warrants its product to be free from defects in materials and workmanship for two (2) years on back and 90 days on cover of use by original purchaser. If within such warranty period any such product shall be proven to be defective, such product shall be repaired or replaced, at Invacare's option. This warranty does not include any labor or shipping charges incurred in replacement part installation or repair of any such product. Invacare's sole obligation and your exclusive remedy under this warranty shall be limited to such repair and/or replacement.**

**For warranty service, please contact the dealer from whom you purchased your Invacare product. In the event you do not receive satisfactory warranty service, please write directly to Invacare at the address on the back cover. Provide dealer's name, address, model number, date of purchase, indicate nature of the defect and, if the product is serialized, indicate the serial number.**

**Invacare Corporation will issue a return authorization. The defective unit or parts must be returned for warranty inspection using the serial number, when applicable, as identification within thirty (30) days of return authorization date. DO NOT return products to our factory without our prior consent. C.O.D. shipments will be refused; please prepay shipping charges.**

**LIMITATIONS AND EXCLUSIONS: THE WARRANTY SHALL NOT APPLY TO PROBLEMS ARISING FROM NORMAL WEAR OR FAILURE TO ADHERE TO THE ENCLOSED INSTRUCTIONS. IN ADDITION, THE FOREGOING WARRANTY SHALL NOT APPLY TO SERIAL NUMBERED PRODUCTS IF THE SERIAL NUMBER HAS BEEN REMOVED OR DEFACED; PRODUCTS SUBJECTED TO NEGLIGENCE, ACCIDENT, IMPROPER OPERATION, MAINTENANCE OR STORAGE; OR PRODUCTS MODIFIED WITHOUT INVACARE'S EXPRESS WRITTEN CONSENT INCLUDING, BUT NOT LIMITED TO: MODIFICATION THROUGH THE USE OF UNAUTHORIZED PARTS OR ATTACHMENTS; PRODUCTS DAMAGED BY REASON OF REPAIRS MADE TO ANY COMPONENT WITHOUT THE SPECIFIC CONSENT OF INVACARE; PRODUCTS DAMAGED BY CIRCUMSTANCES BEYOND INVACARE'S CONTROL; PRODUCTS REPAIRED BY ANYONE OTHER THAN AN INVACARE DEALER, SUCH EVALUATION SHALL BE SOLELY DETERMINED BY INVACARE.**

**THE FOREGOING WARRANTY IS EXCLUSIVE AND IN LIEU OF ALL OTHER EXPRESS WARRANTIES, IF ANY, INCLUDING THE IMPLIED WARRANTIES OF MERCHANTABILITY AND FITNESS FOR A PARTICULAR PURPOSE.**

**IT SHALL NOT EXTEND BEYOND THE DURATION OF THE EXPRESSED WARRANTY PROVIDED HEREIN AND THE REMEDY FOR VIOLATIONS OF ANY IMPLIED WARRANTY SHALL BE LIMITED TO REPAIR OR REPLACEMENT OF THE DEFECTIVE PRODUCT PURSUANT TO THE TERMS CONTAINED HEREIN. INVACARE SHALL NOT BE LIABLE FOR ANY CONSEQUENTIAL OR INCIDENTAL DAMAGES WHATSOEVER.**

**THIS WARRANTY SHALL BE EXTENDED TO COMPLY WITH STATE/PROVINCIAL LAWS AND REQUIREMENTS.**

NOTE: Vérifier toutes les pièces pour s'assurer qu'elles n'ont pas été endommagées pendant le transport. Le cas échéant, NE PAS utiliser cet équipement. Contacter le fournisseur pour plus d'instructions.

## RÉSUMÉ DES CONSIGNES DE SÉCURITÉ

Les avertissements et les notes attention s'appliquent aux pratiques dangereuses qui pourraient causer des blessures et/ou des dommages à la propriété.

### AVERTISSEMENT

NE PAS installer cet équipement sans d'abord avoir lu et compris ce feuillet d'instructions. Si vous ne comprenez pas les instructions, contactez un professionnel des soins de santé, un fournisseur ou un technicien, si possible, avant de tenter d'installer cet équipement, sans quoi des blessures ou des dommages peuvent survenir.

La position du dossier personnel à l'une (1) des trois (3) positions de montage est directement reliée à la stabilité du fauteuil. Lorsque le dossier personnel est ajouté à un fauteuil à bascule et/ou inclinable, le fauteuil peut devenir moins stable. Il pourrait être nécessaire de changer la position des ROUES AVANT, DES ROUES ARRIÈRE, L'ANGLE DU DOSSIER, LA BASCULE COMPENSÉE, L'INCLINAISON ET/OU LA PROFONDEUR DU SIÈGE avant d'utiliser le fauteuil. Soyez extrêmement prudent lorsque vous utilisez une nouvelle position assise.

Vous devriez consulter votre thérapeute ou votre médecin si vous avez des questions au sujet de vos limites et de vos besoins.

Le travail en collaboration avec votre thérapeute, votre médecin et votre fournisseur est la meilleure façon de vous assurer que votre choix de dossier personnel convienne à vos besoins personnels.

Plus les besoins individuels sont complexes, plus l'évaluation du choix d'un dossier personnel est importante.

### NOTE

L'information contenue dans ce document peut être modifiée sans préavis.

## INTRODUCTION

Le dossier personnel est conçu pour procurer à l'utilisateur un support de posture et un alignement de la colonne. Le revêtement est en tissu hydrofuge pour protéger la bourre en mousse.

## DÉTERMINER LA POSITION DE MONTAGE POUR L'INSTALLATION DU DOSSIER PERSONNEL (FIGURE 1)

- Sortir le dossier de la boîte.
- Enlever la quincaillerie qui fixe la garniture aux montants du dossier.
- Pour connaître la hauteur de dossier nécessaire, après évaluation de votre thérapeute (A), utiliser l'équation suivante:

Hauteur totale nécessaire établie par le thérapeute - (A)	(-) Hauteur du dossier personnel (zone B)	(=) Distance entre le dossier personnel et le coussin du siège (zone C)
Distance entre le dossier personnel et le coussin du siège (zone C)	(+) Distance du bas du dossier jusqu'au dessus de la quincaillerie de montage (zone D)	(=) Emplacement du support de montage (zone E)

- Mesurer la hauteur totale du dossier personnel (zone B).
- Soustraire la hauteur totale du dossier personnel (zone B) de la hauteur totale établie par le thérapeute (A). Ce qui donne la distance entre le bas du dossier personnel et le coussin (zone C).
- Mesurer la distance du dossier jusqu'au dessus de la quincaillerie de montage (zone D).
- Additionner zone D (ÉTAPE 6) ET zone C (ÉTAPE 5). Ceci permettra d'établir la hauteur supplémentaire nécessaire et l'emplacement du support de montage (zone E).
- Mesurer la distance entre le coussin et les montants du dossier/châssis du fauteuil. / (zone E, ÉTAPE 7) et marquer (les deux (2) côtés) à l'intérieur du châssis du fauteuil/montants du dossier.

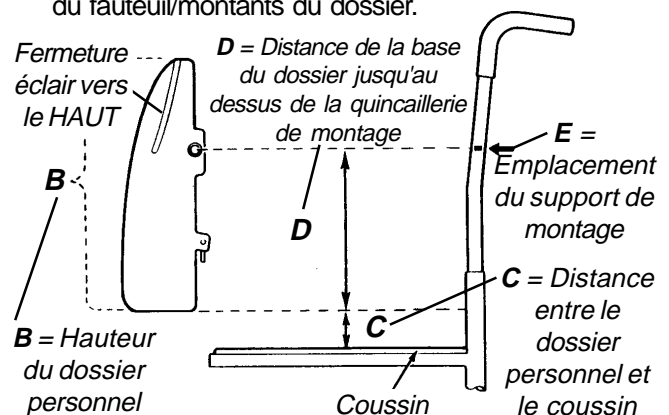


FIGURE 1 - DÉTERMINER LA POSITION DE MONTAGE POUR L'INSTALLATION DU DOSSIER PERSONNEL

## INSTALLER LA QUINCAILLERIE DE MONTAGE DU DOSSIER PERSONNEL/DOSSIER PERSONNEL PLUS

Cet ensemble comprend:

DESCRIPTION	QUANTITÉ
Plaques de montage multipositions	2
Boulons Phillips courts	4
Écrous de blocage en nylon	4
Boulons longs	4
Écrous ordinaires	4
Supports en L	2
Inserts de pince	4
Demi-pinces pour tubes 1 po. (25mm)	4

*NOTE: L'installation ne nécessite pas nécessairement toutes les pièces. Lire les instructions attentivement.*

### AVERTISSEMENT

NE PAS tenter de modifier les pinces de 1 po. (25 mm) pour les adapter aux tubes de ¾ po. (19mm) de diamètre.

### Installer sur les fauteuils munis de montants de dossier de 1 po. (25mm) de diamètre (FIGURE 2)

**Avoir les outils suivants à la portée de la main**  
Clé Allen 1/8 po.  
Clé croissant ou clé à douille 3/8po.

Pièces nécessaires :	Quantité
Plaques de montage multipositions	2
Demi-pinces 1po.(25mm)	4
Inserts de pince	4
Boulons longs	4
Écrous de blocage en nylon	4

- Déterminer la hauteur du dossier. Se référer à DÉTERMINER LA POSITION DE MONTAGE POUR L'INSTALLATION DU DOSSIER PERSONNEL dans ce feuillet d'instructions.
- Insérer les deux (2) boulons longs (par l'intérieur) dans les petits orifices de la plaque de montage, puis dans les demi-pinces. Serrer les écrous pour fixer la pince.
- Exécuter une (1) des étapes suivantes :
  - Demi-pince serrée -continuer à la prochaine étape
  - Demi-pince lâche- se référer à INSTALLER SUR LES FAUTEUILS MUNIS DE MONTANTS DE DOSSIER DE 7/8-PO. (22MM) DE DIAMÈTRE

*NOTE: La pince devrait enserrer le montant.*

- Répéter la procédure pour l'autre côté, en s'assurant que les deux (2) côtés sont à la même hauteur et parallèles.

- Vérifier si tous les écrous sont serrés.

*NOTE: Le support se règle facilement en desserrant le boulon et en glissant les supports vers le haut ou vers le bas sur le montant du dossier pour obtenir la hauteur nécessaire.*

- Installer le dossier personnel. Se référer à INSTALLER LE DOSSIER PERSONNEL/DOSSIER PERSONNEL PLUS dans ce feuillet d'instructions

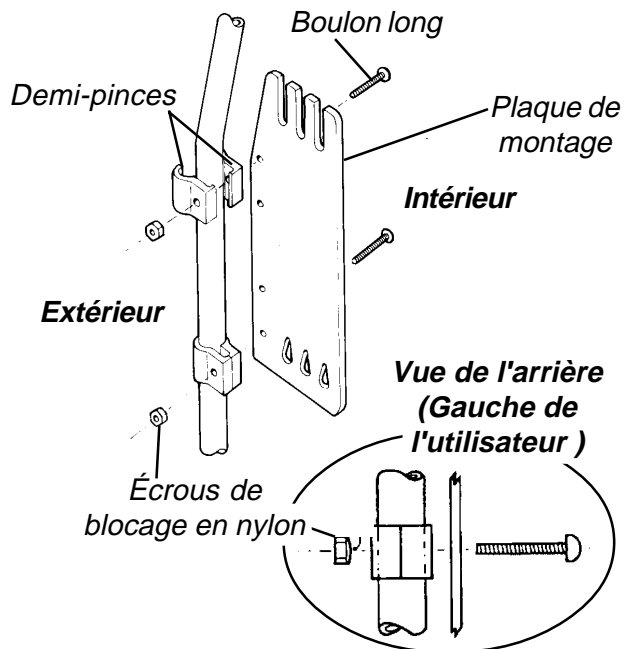


FIGURE 2 - INSTALLER SUR LES FAUTEUILS MUNIS DE MONTANTS DE DOSSIER DE 1-PO. (25MM) DE DIAMÈTRE

### Installer sur les fauteuils munis de montants de dossier de 7/8-po. (22mm) de diamètre (FIGURE 3)

*NOTE: Cette procédure devrait être exécutée SEULEMENT si les pinces des montants sont trop larges pour les tubes de montants du dossier.*

- Insérer deux (2) boulons longs (par l'intérieur) dans les petits orifices de la plaque de montage, puis dans les demi-pinces. Se référer à la FIGURE 2.
- Placer un (1) insert dans le montant du dossier avec l'ouverture de l'insert face au dossier du fauteuil.
- Glisser la pince du montant sur l'insert jusqu'à ce que les moitiés de pinces de montant entourent l'insert tel qu'illustré à la FIGURE 3, SCHÉMA "A".
- Serrer les écrous pour fixer la pince.
- Exécuter une (1) des étapes suivantes:
  - Demi-pinces serrées- Continuer à l'étape suivante
  - Demi-pinces lâches- Se référer à INSTALLER SUR LES FAUTEUILS UTILISANT LES SUPPORTS EN L.



- Répéter les ÉTAPES 1 à 4 pour les autres demi-pinces, en s'assurant que les deux (2) côtés sont de la même hauteur et parallèles.
- Installer le dossier personnel. Se référer à INSTALLER LE DOSSIER PERSONNEL/DOSSIER PERSONNEL PLUS de ce feuillet d'instructions..

**AVANT DU FAUTEUIL**

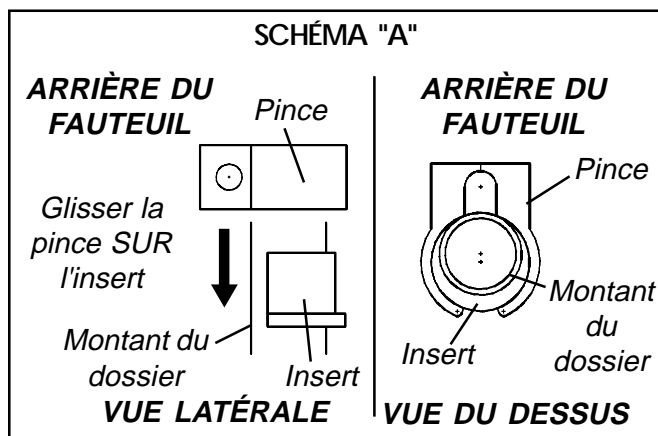
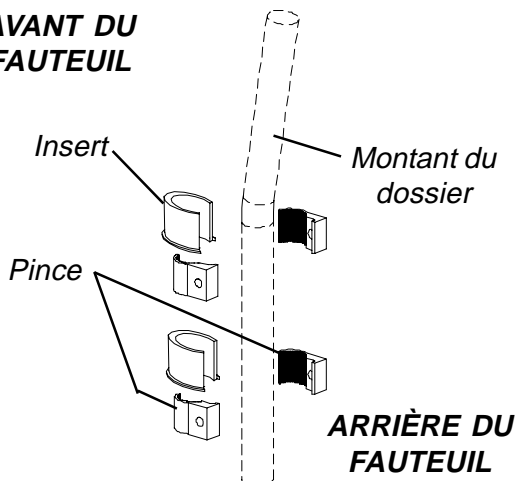


FIGURE 3 - INSTALLER SUR LES FAUTEUILS MUNIS DE MONTANTS DE DOSSIER DE 7/8-PO. (22MM) DE DIAMÈTRE

**Installer sur les fauteuils utilisant les supports en L (FIGURE 4)**

<b>Avoir les outils suivants à la portée de la main:</b> Tournevis Phillips Clé croissant ou clé à douille 3/8po.	
<b>Pièces requises:</b>	<b>Quantité</b>
Plaque multipositions	2
Supports en L	2
Boulons Phillips courts	4
Écrous de blocage	4

- Déterminer la hauteur du dossier. Se référer à DÉTERMINER LA POSITION DE MONTAGE POUR L'INSTALLATION DU DOSSIER PERSONNEL dans ce feuillet d'instructions.

- Fixer les supports en L aux montants du dossier à l'aide des orifices et de la quincaillerie de montage de la garniture existante.
- S'assurer que le dessus de la plaque de montage, une fois installée sur le support en L, est 1/2-po. (1.2 cm) plus haut que la marque déterminée à l'ÉTAPE 8 - CHOISIR LA POSITION DE MONTAGE POUR L'INSTALLATION DU DOSSIER PERSONNEL dans ce feuillet d'instructions (SCHÉMA "A", FIGURE 4).
- Installer deux (2) boulons courts (par l'intérieur) dans les petits orifices de la plaque de montage, puis dans le support en L. Serrer les écrous de blocage pour fixer la plaque au support en L.
- Répéter la procédure pour l'autre côté en s'assurant que les deux (2) côtés sont à la même hauteur et parallèles.
- Installer le dossier personnel. Se référer à INSTALLER LE DOSSIER PERSONNEL/DOSSIER PERSONNEL PLUS dans ce feuillet d'instructions.

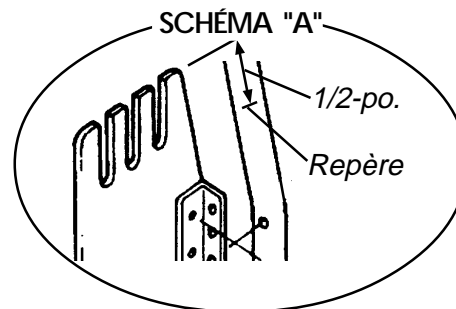
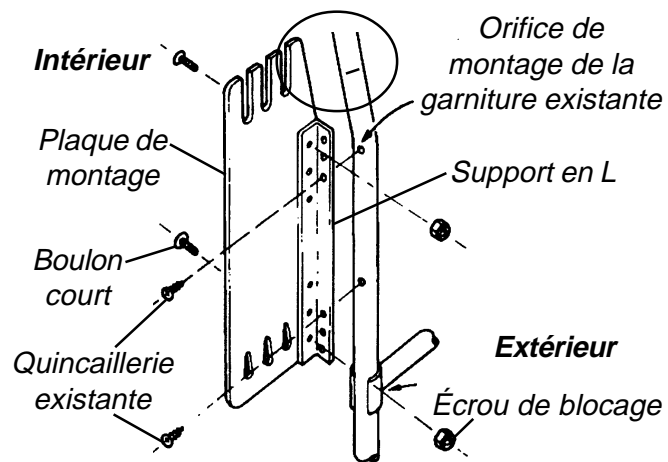


FIGURE 4 - INSTALLER SUR LES FAUTEUILS UTILISANT LES SUPPORTS DE MONTAGE EN L

## UTILISER LE DOSSIER PERSONNEL

Le dossier personnel comprend un support lombaire en mousse amovible et un support latéral droit et gauche fixés à l'enveloppe du dossier avec des crochets et des attaches pour assurer un meilleur positionnement. Pour accéder aux supports lombaire et latéraux, défaire la fermeture éclair du revêtement et pousser la mousse vers l'avant et la sortir du dossier. Les supports lombaire et latéraux seront ainsi accessibles pour effectuer des réglages.

## INSTALLER LE DOSSIER PERSONNEL/DOSSIER PERSONNEL PLUS (FIGURE 5)

### AVERTISSEMENT

La position du dossier personnel à l'une (1) des trois (3) positions de montage est directement reliée à la stabilité du fauteuil. Lorsque le dossier personnel est ajouté à un fauteuil à bascule et/ou inclinable, le fauteuil peut devenir moins stable. Il pourra être nécessaire de changer la position des ROUES AVANT, DES ROUES ARRIÈRE, L'ANGLE DU DOSSIER, LA BASCULE COMPENSÉE, L'INCLINAISON, ET/OU LA PROFONDEUR DU SIÈGE avant d'utiliser le fauteuil. Soyez extrêmement prudent lorsque vous utilisez une nouvelle position assise.

1. Installer le dossier personnel sur la plaque de montage de façon à ce que les goujons supérieurs soient dans les bonnes fentes.
2. Tourner la tige de montage inférieure jusqu'à ce que l'orifice oval s'aligne avec les orifices de montage.
3. Installer les tiges de montage inférieures dans l'un des trois (3) ensembles d'orifices ovales situés à la base du support de montage.
4. Pour bloquer, tourner les tiges de montage vers le bas.

### AVERTISSEMENT

S'assurer que les crochets et les boucles tiennent sécuritairement les leviers. Le dossier personnel peut devenir lâche si les leviers ne sont pas bloqués en bas.

5. Empêcher les tiges de montage de tourner avec le crochet et les boucles à l'arrière du revêtement.
6. Pour enlever le dossier, inverser les **ÉTAPES 1 à 5**.

*NOTE: Marquer les positions de montage inférieure et supérieure du support de montage du dossier personnel à titre de référence pour la famille ou les personnes soignantes.*

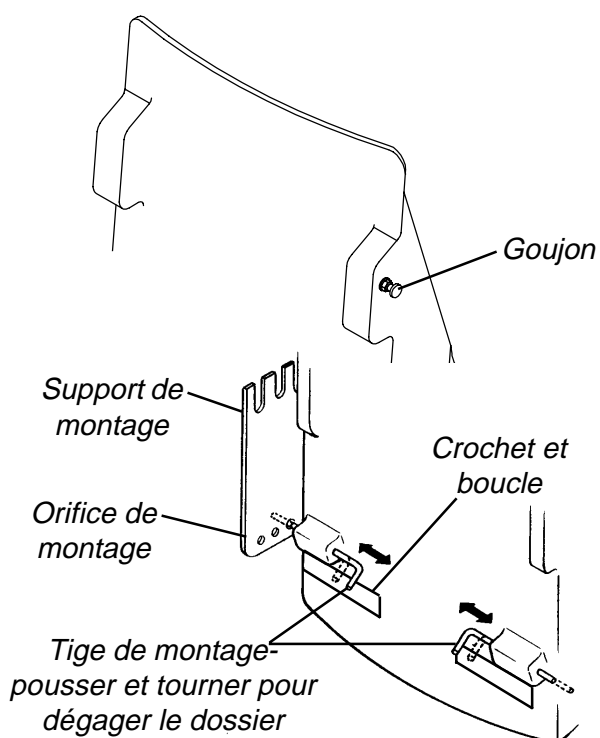


FIGURE 5 - INSTALLER LE DOSSIER  
PERSONNEL/PERSONNEL PLUS

### Installer l'appuie-tête

Les appuie-têtes peuvent être installés sur le dossier personnel. La plaque de renforcement de l'appuie-tête DOIT être utilisée, et elle est vendue séparément.

## ENTRETIEN DU DOSSIER PERSONNEL

### AVERTISSEMENT

**NE PAS continuer à utiliser ce produit si vous décelez des problèmes. Un entretien peut être fait par/ou par l'intermédiaire de votre fournisseur.**

### Instructions pour le nettoyage

#### DOSSIER

Nettoyer une fois par semaine avec un linge humide. Essuyer toute la surface.

Vérifier une fois par semaine toutes les pièces y compris la quincaillerie, les supports, les tissus des garniture, des mousses (si accessible) et les plastiques pour y déceler toute forme de déformation, de corrosion, de bris, d'usure ou de compression.

Vérifier TOUTES les attaches une fois par semaine pour s'assurer que les raccords mécaniques sont sécuritaires.

---

## **REVÊTEMENT**

### **ATTENTION**

Laver à la machine à l'eau froide, au cycle délicat, avec un savon doux. Ne pas utiliser d'eau de javel ou d'assouplisseur. **NE PAS** faire sécher au sèche linge. Faire sécher à l'air libre, à l'abri du soleil.

### **MOUSSE**

Si la mousse devient sale à cause d'un problème d'incontinence, le dossier devrait être remplacé car la mousse est absorbante et ne peut être nettoyée. La mousse ne peut être remplacée séparément car elle est fixée de façon permanent à l'armature du dossier.

### **AVERTISSEMENT**

Le revêtement est conçu pour protéger la mousse de l'incontinence de l'utilisateur et pour retarder la propagation du feu, donc ne pas utiliser le coussin sans le revêtement. Si le revêtement est déchiré, il doit être changé.

## **GARANTIE LIMITÉE USA**

REMARQUE: LA GARANTIE CI-DESSOUS A ÉTÉ RÉDIGÉE EN ACCORD AVEC LA LOI FÉDÉRALE APPLICABLE SUR LES PRODUITS FABRIQUÉS APRÈS LE 4 JUILLET 1975.

Cette garantie est valable pour l'acheteur/utilisateur initial de nos produits seulement. Cette garantie vous donne des droits légaux spécifiques et d'autres droits variant d'un État à l'autre peuvent se rajouter.

INVACARE garantit son produit contre tout défaut de fabrication ou défaut dans le matériel pour une période de deux (2) ans et 90 jours pour le revêtement pour l'acheteur utilisateur initial. Si, durant cette période, ce produit devait être reconnu défectueux, il sera réparé ou remplacé, suivant le choix d'INVACARE. Cette garantie ne couvre pas les frais de main-d'oeuvre ou de livraison encourus par l'installation de pièces de rechange ou la réparation dudit produit. La seule et unique obligation d'INVACARE et votre seul recours suivant cette garantie se limitent au remplacement et/ou à la réparation.

Pour le service, contacter le fournisseur qui vous a vendu le produit Invacare. Si vous n'êtes pas satisfait du service, écrire directement à Invacare, à l'adresse indiquée à la dernière page. Fournir le nom du fournisseur, l'adresse, le numéro de modèle, la date d'achat du produit, en indiquant la nature du défaut et le numéro de série du produit s'il y a lieu.

Invacare Corporation émettra un numéro d'autorisation de retour. L'unité ou le produit défectueux doit être retourné pour vérification de garantie, en indiquant le numéro de série, s'il y a lieu, dans les trente (30) jours suivant la date de réception de l'autorisation de retour. NE PAS retourner de produits à l'usine sans d'abord avoir obtenu notre consentement. Les envois C.O.D. (payables sur réception) seront refusés. Veuillez payer à l'avance les frais d'envoi.

RESTRICTIONS: LA PRÉSENTE GARANTIE NE S'APPLIQUE PAS AUX PROBLÈMES DÉCOULANT DE L'USURE NORMALE OU DU NON RESPECT DES INSTRUCTIONS CI-JOINTES. DE PLUS, LA GARANTIE NE S'APPLIQUE PAS AUX PRODUITS DONT LE NUMÉRO DE SÉRIE A ÉTÉ EFFACÉ OU MODIFIÉ, AUX PRODUITS MAL ENTRETENUS, ACCIDENTÉS, INADÉQUATEMENT UTILISÉS, ENTRETENUS OU ENTREPOSÉS, AUX PRODUITS MODIFIÉS SANS LE CONSENTEMENT ÉCRIT D'INVACARE, INCLUANT, MAIS NE SE LIMITANT PAS À: LA MODIFICATION AVEC DES PIÈCES OU ACCESSOIRES NON AUTORISÉS; OU AUX PRODUITS ENDOMMAGÉS PAR DES RÉPARATIONS FAITES À TOUTE COMPOSANTE SANS L'APPROBATION D'INVACARE, OU AUX PRODUITS ENDOMMAGÉS DANS DES CIRCONSTANCES AU-DELÀ DU CONTRÔLE D'INVACARE, AUX PRODUITS RÉPARÉS AUTREMENT QUE PAR UN FOURNISSEUR INVACARE. L'ÉVALUATION SERA FAITE PAR INVACARE.

LA PRÉSENTE GARANTIE EST EXCLUSIVE ET REMPLACE TOUTES LES AUTRES GARANTIES. LES GARANTIES IMPLICITES, S'IL Y A LIEU, INCLUANT LA GARANTIE DE COMMERCIALISATION ET D'AJUSTEMENT DANS UN BUT PARTICULIER.

ELLE NE DOIT PAS SE PROLONGER AU-DELÀ DE LA DURÉE DE LA PRÉSENTE GARANTIE, ET LE RECOURS POUR VIOLATION DE QUELCONQUE GARANTIE IMPLICITE DOIT SE LIMITER À LA RÉPARATION OU AU REMPLACEMENT DU PRODUIT DÉFECTUEUX CONFORMÉMENT AUX PRÉSENTS TERMES. INVACARE NE SERA PAS TENU RESPONSABLE POUR TOUT DOMMAGE-INTÉRÊT DIRECT OU ACCESSOIRE.

CETTE GARANTIE DEVRA ÊTRE ÉLARGIE POUR RÉPONDRE AUX LOIS ET AUX RÈGLEMENTS DES ÉTATS/PROVINCES.



**Instrucciones de Ensamble, Instalación y Operación**

Domestic Spanish

NOTA: Inspeccione todas las piezas por cualquier daño durante el envío, antes de usar. En caso de daño, NO use este equipo. Póngase en contacto con su proveedor del equipo, para futuras instrucciones.

**SUMARIO DE ADVERTENCIAS**

Las notas de ADVERTENCIA/PRECAUCIONES aplican a prácticas peligrosas o inseguras, las cuales pueden resultar en heridas personales menores y/o daño a propiedad.

**ADVERTENCIA**

NOT instale este equipo sin antes leer y entender esta hoja de instrucciones. Si tiene dificultad en entender estas instrucciones, póngase en contacto con un profesional de cuidados de la salud, su proveedor o personal técnico si aplica, antes de intentar instalar este equipo. De otro modo, herida personal o daño pueden ocurrir.

La posición del Respaldo Personal en las tres (3) diferentes aberturas del sostenedor está directamente relacionada con la estabilidad de la silla. Cuando el Respaldo Personal es agregado a una silla que se LADEA y/o RECLINA, éste puede disminuir la estabilidad de la silla. Puede que sea necesario un cambio en la posición DE LAS RUEDAS DE ENFRENTE, RUEDAS DE ATRAS, EL ANGULO DEL RESPALDO, EL ESPACIO DEL MECANISMO DE LADEO, LA POSICION DEL RECLINADO y/o LA PROFUNDIDAD DEL ASIENTO, antes de usarla. Use EXTREMA precaución cuando use una nueva posición del asiento.

Su terapeuta y su médico deben de ser consultados si usted tiene alguna pregunta relacionada con sus limitaciones y necesidades individuales.

Consultando a su terapeuta, médico y el proveedor del equipo, es la mejor manera de asegurar que la selección de un Respaldo Personal satisface sus necesidades individuales.

Conforme las necesidades individuales se hacen más complejas, la evaluación del Respaldo Personal se hace más importante.

**NOTA**

La información contenida en este documento está sujeta a cambios sin previo aviso.

**INTRODUCCION**

El Respaldo Personal ha sido diseñado para proveer al usuario apoyo a su postura y alineamiento a su espina dorsal. La cobertura está hecha de un tejido que repele el agua para proteger la espuma de cuacho.

**DETERMINANDO LA POSICION PARA LA INSTALACION DEL RESPALDO PERSONAL (FIGURA 1)**

1. Remueva el respaldo del empaque.
2. Remueva las piezas que aseguran la tapicería a los soportes.
3. **Para obtener la altura requerida del respaldo, después de un avalúo físico por un terapeuta (A), use la siguiente fórmula (FIGURA 1):**

<i>Altura Total Requerida por el Terapeuta - (A)</i>	<i>(-) Altura del Respaldo Personal (Area B)</i>	<i>(=) Distancia entre el Respaldo Personal y el Asiento. (Area C)</i>
--	--	--

<i>Distancia entre el Respaldo Personal y el Asiento (Area C)</i>	<i>(+) Distancia del Extremo Inferior del Respaldo a la Pieza Superior de Montarlo. (Area D)</i>	<i>(=) Localización del Soporte de Montar (Area E)</i>
---	--	--

4. Mida la **Altura Total del Respaldo Personal (Area B)**.
5. Substraiga la **Altura Total del Respaldo Personal (Area B)** de la **Altura Total del Respaldo Requerida por el Terapeuta (A)**. Esto le da la **Distancia entre el extremo inferior del Respaldo Personal y el Asiento (Area C)**.
6. Mida la **Distancia desde el extremo inferior del respaldo hasta la pieza superior de montarlo. (Area D)**.
7. Sume **Area D (PASO 6)** y **Area C (PASO 5)**. Esto determinará cuánto más se necesita para la altura necesaria y cual será la **Ubicación del soporte de montar el respaldo (Area E)**.
8. Mida la distancia del asiento a la estructura soporte del respaldo (**Area E, PASO 7**) y marque (**ambos lados**) en el lado de adentro de la estructura soporte del respaldo de la silla.

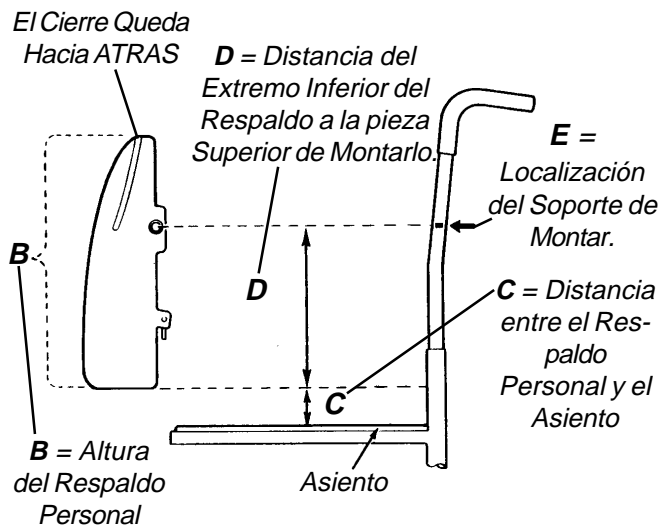


FIGURA 1 - DETERMINANDO LA POSICION PARA LA INSTALACION DEL RESPALDO PERSONAL

## INSTALACION DE LAS PIEZAS PARA MONTAR EL RESPALDO PERSONAL/RESPALDO PERSONAL PLUS

En la lista de piezas se incluye lo siguiente:

DESCRIPCION	CANTIDAD
Placas de Posición Múltiple	2
Tornillos Cortos de Cabeza Phillips	4
Tuercas con Seguridad de Nylon	4
Tornillos Largos	4
Tuercas Regulares	4
Soportes en forma de "L"	2
Insertos para las Abrazaderas	4
Mitad de Abrazaderas para tubos de 1"	4

NOTA: No todas las piezas son requeridas para cada instalación. Lea las instrucciones cuidadosamente.

### ADVERTENCIA

NO intente modificar las abrazaderas de 1 pulgada (25mm) para ajustarlas a un tubo de un diámetro de 3/4 de pulgada (19mm).

## Instalación en Silla de Ruedas con tubo soporte de 1 pulgada (25mm) de diámetro (FIGURA 2)

Tenga las siguientes herramientas disponibles:

Llave Allen de 1/8 de pulgada  
Llave Crescent de 3/8 de pulgada o Llave de Tubo

### Piezas Requeridas:

Piezas Requeridas:	Quantity
Placas de Posición Múltiple	2
Mitad de Abrazaderas para tubos de 1"	4
Insertos para las Abrazaderas	4
Tornillos Largos	4
Tuercas con Seguridad de Nylon	4

- Determine la altura del respaldo. Refiérase a DETERMINANDO LA POSICION PARA LA INSTALACION DEL RESPALDO PERSONAL, en esta hoja de instrucciones.
- Inserte dos (2) tornillos largos (por el lado de adentro) a través de los hoyos pequeños en la placa de montar, luego a través de la mitad de abrazaderas. Aprete las tuercas para asegurar las abrazaderas.
- Haga uno (1) de los siguientes:
  - Mitad de abrazaderas están apretadas. proceda al paso siguiente.
  - Mitad de abrazaderas están flojas. Refiérase a INSTALACION EN SILLA DE RUEDAS CON TUBO SOPORTE DE DIAMETRO DE 7/8 DE PULGADA (22MM).
- Repita el procedimiento en el otro lado, asegurandose de que ambos lados coinciden en la altura, y que están en paralelo uno con el otro.
- Asegúrese de que todas las tuercas están bien apretadas.

NOTA: La abrazadera debe de hundirse un poco en el tubo soporte.

NOTA: La abrazadera puede ser fácilmente ajustada mediante aflojar el tornillo y deslísandola hacia arriba o hacia abajo en el tubo soporte, para obtener la altura apropiada.

- Instale el Respaldo Personal. Refiérase a INSTALACION DEL RESPALDO PERSONAL/RESPALDO PERSONAL PLUS, en esta hoja de instrucciones.

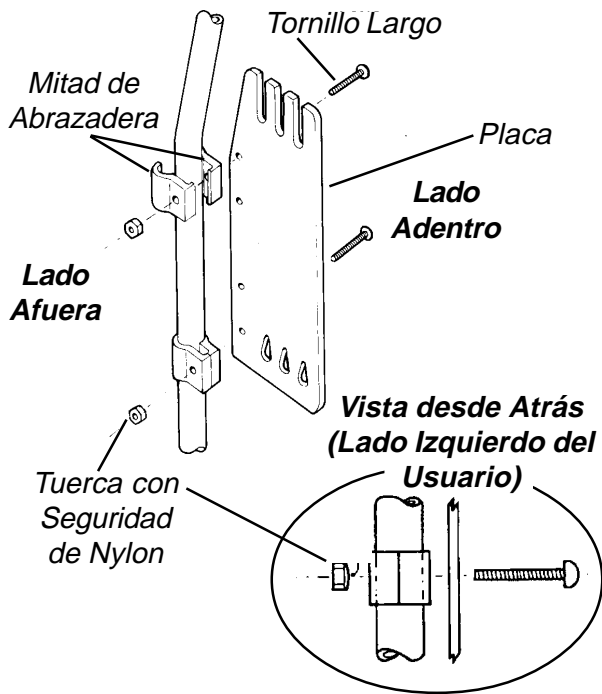


FIGURA 2 - INSTALACION EN UNA SILLA DE RUEDAS CON TUBO SOPORTE DE 1 PULGADA (25MM) DE DIAMETRO

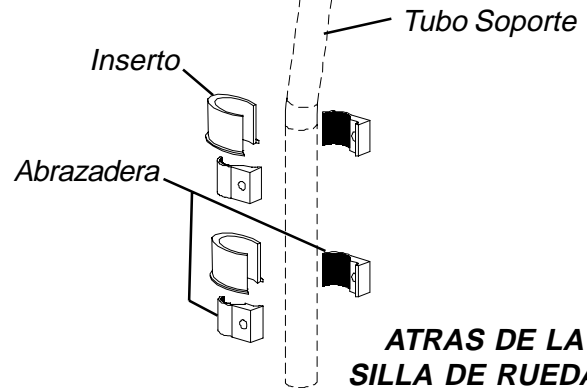
### Instalación en una Silla de Ruedas con Tubo Soporte de 7/8 de Pulgada (22mm) de Diámetro (FIGURA 3)

NOTA: Este procedimiento debe de efectuarse SOLAMENTE si las abrazaderas son muy grandes para el tubo soporte.

1. Inserte dos (2) tornillos largos (desde el lado de adentro) a través de los hoyos pequeños en la placa, luego coloque la mitad de abrazaderas. Refiérase a FIGURA 2.
2. Coloque un (1) inserto en el tubo soporte con la abertura del inserto viendo hacia atrás de la silla de ruedas.
3. Deslice la abrazadera sobre el inserto hasta que la mitad de las abrazaderas cubran los insertos según se muestra en la FIGURA 3, DETALLE "A".
4. Aprete bien las tuercas para asegurar las abrazaderas.
5. Haga uno (1) de los siguientes:
  - A. Si la mitad de abrazadera está bien apretada, proceda al próximo paso.
  - B. Si la mitad de abrazadera está floja, refiérase a INSTALACION EN SILLA DE RUEDAS USANDO SOPORTES EN FORMA DE "L".

6. Repita los PASOS 1 al 4 para las mitad de abrazaderas restantes, asegurandose de que ambos lados están a la misma altura y paralelos uno con el otro.
7. Instale el Respaldo Personal. Refiérase a INSTALACION DEL RESPALDO PERSONAL / RESPALDO PERSONAL PLUS, en esta hoja de instrucciones.

### ENFRENTA DE LA SILLA DE RUEDAS



### ATRAS DE LA SILLA DE RUEDAS

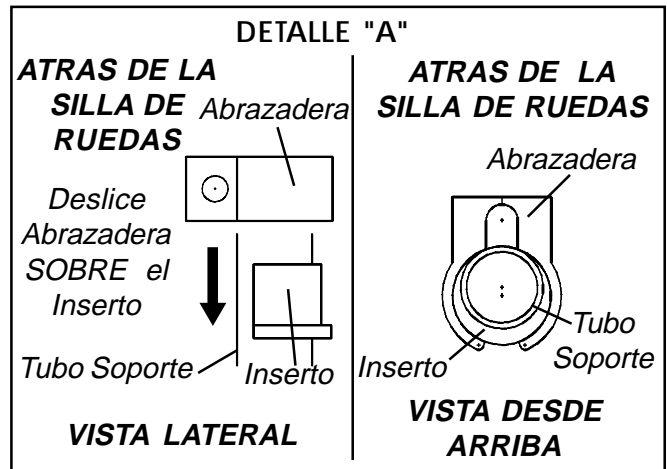


FIGURA 3 - INSTALACION EN SILLA DE RUEDAS CON TUBO SOPORTE DE 7/8 DE PULGADA (22MM) DE DIAMETRO

### Instalacion en Silla de Ruedas Usando Soportes en Forma de "L" (FIGURA 4)

Tenga las siguientes herramientas disponibles:

Destornillador Phillips  
Llave Crescent de 3/8 de pulgada/Llave de Tubo

#### Piezas Requeridas:

Placa de Posición Múltiple  
Soportes en forma de "L"  
Tornillos Phillips Cortos  
Tuercas de Seguridad

#### Cantidad

2  
2  
4  
4

1. Determine la altura del respaldo. Refiérase a DETERMINANDO LA POSICION PARA LA INSTALACION DEL RESPALDO PERSONAL, en esta hoja de instrucciones.
2. Asegure los soportes en forma de "L" a los tubos soportes, usando los hoyos de la tapicería y los tornillos y tuercas existentes.
3. Cuando use el soporte en forma de "L" asegúrese de que el extremo superior de la placa queda 1/2 pulgada (1.2 cm) más alta que la marca determinada en el PASO 8 en DETERMINANDO LA POSICION PARA LA INSTALACION DEL RESPALDO PERSONAL en esta hoja de instrucciones (DETALLE "A", FIGURA 4).
4. Instale dos (2) tornillos cortos (por el lado de adentro) a través de los hoyos pequeños en la placa, después a través del soporte en forma de "L". Aprete bien las tuercas para asegurar la placa al soporte en forma de "L".
5. Repita el procedimiento en el otro lado, asegurandose de que ambos lados quedan a la misma altura, paralelos uno al otro.
6. Instale el Respaldo Personal. Refiérase a INSTALACION DEL RESPALDO PERSONAL/RESPALDO PERSONAL PLUS, en esta hoja de instrucciones.

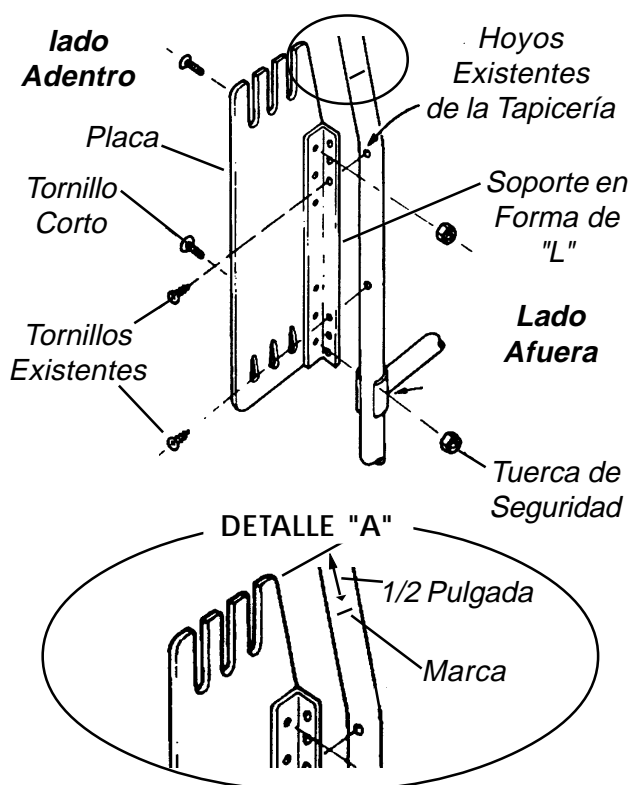


FIGURA 4 - INSTALACION EN SILLA DE RUEDAS USANDO EL SOPORTE EN FORMA DE "L"

## USE DEL RESPALDO PERSONAL

El Respaldo Personal incluye un soporte lumbar de espuma de caucho movable y soportes laterales de espuma de caucho sujetos a la cubierta de atrás, con ganchos y ojales, para proveer la habilidad de hacer ajustes para posiciones adicionales. Para obtener acceso al soporte lumbar y soportes laterales, abra el cierre de la cobertura y empuje la espuma de caucho hacia adelante, retirandola de la cubierta trasera. El soporte lumbar y laterales quedarán accesibles para hacer los ajustes necesarios.

## INSTALACION DEL RESPALDO PERSONAL/RESPALDO PERSONAL PLUS (FIGURA 5)

### ADVERTENCIA

La posición del Respaldo Personal en las tres (3) diferentes aberturas del soporte están directamente relacionadas con la estabilidad de la silla. Cuando el Respaldo Personal es agregado a una silla que se LADEA y/o RECLINA, esto puede causar que la estabilidad de ésta disminuya. Puede que sea necesario un cambio en la posición de LAS RUEDAS DELANTERAS Y TRASERAS, EL ANGULO DEL RESPALDO, EL ESPACIO DEL MECANISMO DE LADEO, LA POSICION DE LA RECLINACION y/o LA PROFUNDIDAD DEL ASIENTO, antes de usarla. Use EXTREMA precaución cada vez que haga uso de una nueva posición al sentarse.

1. Instale el Respaldo Personal a la placa de modo que los pernos de arriba enganchen en las aberturas apropiadas.
2. Gire los pasadores de abajo hasta que alinien con los hoyos de montar.
3. Instale los pasadores de abajo en uno (1) de los tres (3) hoyos de abajo, en el soporte de montar.
4. Para cerrarlos y asegurarlos, gire los pasadores a la posición hacia abajo.

### ADVERTENCIA

Asegúrese de que los ganchos y los ojales están sosteniendo bien seguras las palancas de los pasadores. El Respaldo Personal puede aflojarse si las palancas de los pernos no están bien aseguradas.

5. Asegure los pasadores, para que no giren, con los ganchos y los ojales localizados en la parte de atrás de la cubierta.
6. Para remover el Respaldo Personal, siga los PASOS 1 al 5 a la inversa.



NOTA: Marque las posiciones de arriba y abajo del soporte del Respaldo Personal, para referencia a miembros de la familia o personas encargadas de su cuidado.

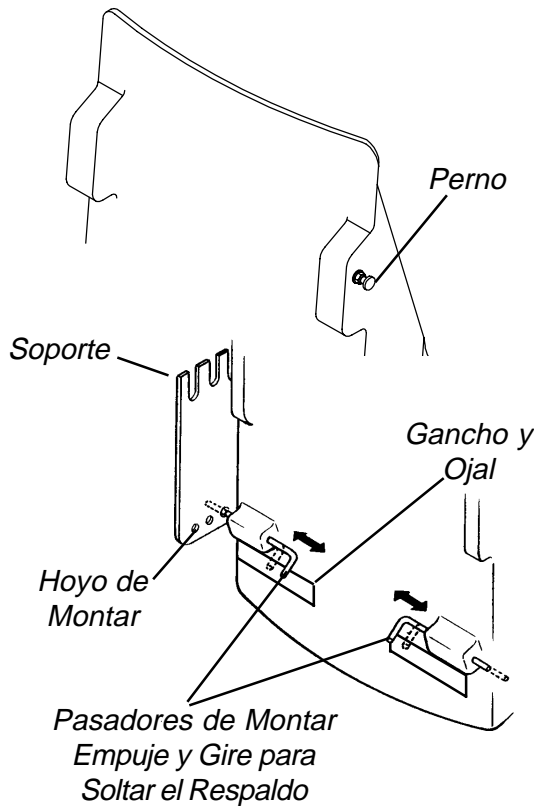


FIGURA 5 - INSTALACION DEL RESPALDO PERSONAL/RESPALDO PERSONAL PLUS

### Instalación del Apoyo Para la Cabeza

Un apoyo para la cabeza puede ser instalado en el Respaldo Personal. Una placa reforzadora para el apoyo para la cabeza DEBE de ser usada y esta está disponible de manera opcional.

## MANTENIMIENTO PARA EL RESPALDO PERSONAL

### ADVERTENCIA

NO continúe el uso de este producto si algún problema es descubierto. Mantenimiento Correctivo puede ser hecho por su proveedor del equipo. Puede hacer arreglos con su proveedor para tal servicio.

### Instrucciones para la Limpieza

#### ENSAMBLE DEL RESPALDO.

Límpielo semanalmente con un paño húmedo. Limpie la superficie entera.

Inspección visual semanalmente de todas las piezas, incluyendo tornillos, tuercas, soportes, materiales de la tapicería, gomas de caucho (si son accesibles), y plásticos, por deformación, corrosión, roturas, desgaste o compresión.

Inspeccione TODAS las piezas semanalmente para asegurarse de que todas las conexiones mecánicas están bien aseguradas.

#### COVERTURA.

### PRECAUCION

Lávala a Máquina con agua fría. Ciclo suave. Detergente Liviano. NO use suavizadores o blanqueador. NO la seque a máquina. Séquela al aire SOLAMENTE, fuera del Sol.

#### ESPUMA DE CAUCHO.

Si la espuma de caucho se contamina debido a incontinencia, ésta debe de ser reemplazada porque la espuma es absorbente y no puede ser limpiada. La espuma de caucho no puede ser reemplazada independientemente porque está permanentemente adherida a la cubierta trasera.

### ADVERTENCIA

La cobertura ha sido diseñada para proteger la espuma contra la incontinencia del usuario y como retardante contra fuego. El cojín no debe de ser usado sin la cobertura. Si la cobertura está dañada, ésta debe de ser reemplazada.

## **GARANTIA**

**NOTA: ESTA GARANTÍA HA SIDO ESCRITA PARA CUMPLIR CON LA LEY FEDERAL DE LOS ESTADOS UNIDOS APLICABLE A PRODUCTOS DESPUÉS DEL 4 DE JULIO DE 1975.**

Esta garantía se extiende únicamente al comprador/usuario original de nuestros productos.

Esta garantía le da derechos legales específicos y usted pudiera tener otros derechos legales, los cuales varían de estado a estado.

Invacare garantiza que los materiales y mano de obra de su producto están libres de defectos, por un período de tres (2) años para el respaldo y 90 días para la cubierta, usado por el comprador original. Si dentro del período de la garantía se comprueba que el producto cubierto por la misma ha sido encontrado defectuoso, tal producto debe de ser reparado o reemplazado a opción de Invacare. Esta garantía no incluye ninguna labor o cargos de envío o reemplazo de partes o reparaciones hechas a tal producto. La única obligación de Invacare y el único remedio bajo esta garantía queda limitada a reparación y/o reemplazo.

Cuando necesite un servicio cubierto por la garantía, por favor póngase en contacto con el proveedor de quien compró su producto Invacare. En el caso de que no reciba un servicio satisfactorio de la garantía, por favor escriba directamente a Invacare a la dirección indicada, proveyendo el nombre del proveedor, dirección, fecha de compra, indicando la naturaleza del defecto, y, si el sproducto tiene un número de serie, incluya dicho número.

Invacare le proveerá un número de registro con el cual autorizará el retorno del mismo. La unidad o pieza defectuosa, bajo garantía, debe ser retornada para inspección usando el número de serie que identifica el producto, cuando aplica, dentro de treinta (30) días después de la fecha en que se expidió el número de registro. Por favor NO envíe a la fábrica productos sin previo consentimiento. Entregas C.O.D. serán reusadas. Sírvase pagar los cargos de envío.

**LIMITACIONES Y EXCLUSIONES: LA GARANTIA NO DEBE DE APLICAR A PROBLEMAS COMO RESULTADO DE DESGASTE NORMAL O A UNA FALLA DEBIDO A NO ADHERIRSE A ESTAS INSTRUCCIONES. ADEMÁS ESTA GARANTIA NO APLICA A PRODUCTOS CUYO NUMERO DE SERIE HA SIDO REMOVIDO O MUTILADO, QUE HAN SIDO SUJETOS A NEGLIGENCIA, ACCIDENTE, OPERACION INAPROPIADA, MANTENIMIENTO Y ALMACENAMIENTO INAPROPIADO, O A PRODUCTOS MODIFICADOS SIN EL CONSENTIMIENTO EXPRESO DE INVACARE POR ESCRITO, INCLUYENDO, PERO NO LIMITADO A: MODIFICACION POR MEDIO DEL USO NO AUTORIZADO DE PARTES O ACCESORIOS, O PRODUCTOS DAÑADOS DEBIDO A REPARACIONES HECHAS CON PIEZAS NO AUTORIZADAS NI ESPECIFICADAS POR INVACARE, O PRODUCTOS DAÑADOS POR CIRCUNSTANCIAS TOTALMENTE FUERA DEL CONTROL DE INVACARE; PRODUCTOS REPARADOS POR CUALQUIER OTRA PERSONA QUE NO SEA UN PROVEEDOR AUTORIZADO POR INVACARE. TAL EVALUACION SERA DETERMINADA SOLAMENTE POR INVACARE.**

LA GARANTIA QUE PRECEDE ES EXCLUSIVA Y TOMA EL LUGAR DE CUALQUIER OTRA GARANTIA EXPRESA. GARANTIAS IMPLICITAS, SI ACASO, INCLUYENDO GARANTIAS IMPLICITAS MARCANTILES O ADAPTADAS PARA UN PROPOSITO EN PARTICULAR.

NO DEBEN EXTENDER LA DURACION DE LA GARANTIA EXPRESADA AQUI, Y NUESTRA OBLIGACION POR VIOLACIONES A CUALQUIER GARANTIA IMPLICITA DEBE SER LIMITADA A LA REPARACION O REEMPLAZO DEL PRODUCTO DEFECTUOSO CONFORME A LOS TERMINOS AQUI ESTABLECIDOS. INVACARE NO ES RESPONSABLE POR CUALQUIER DAÑO CONSEQUENTE O INCIDENTAL EN ABSOLUTO.

ESTA GARANTIA DEBE SER EXTENDIDA PARA CUMPLIR CON LAS LEYES Y REQUERIMIENTOS DE ESTADO O PROVINCIA.

**HINWEIS:** Überprüfen Sie alle Teile auf evtl. Transportbeschädigungen. Im Falle einer Beschädigung sollten Sie die Teile **NICHT BENUTZEN**. Wenden Sie sich an Ihren Lieferanten.

**SICHERHEIT-ZUSAMMENFASSUNG**

Die Warnungen/Sicherheitshinweise beziehen sich auf gefährdende oder unsichere Maßnahmen, die entweder zu Personenverletzungen und/oder Beschädigung der Ausrüstung führen können.

**WARNUNG**

Benutzen Sie diese Ausrüstung **NICHT**, bevor Sie diese Anweisungen gelesen und verstanden haben. Sollten Unklarheiten bestehen im Verständnis der Warnungen, Sicherheitshinweise oder der Bedienungsanleitung, wenden Sie sich an das technische Personal, bevor Sie versuchen, diese Ausrüstung einzusetzen; anderenfalls kann es zu Verletzungen oder Beschädigungen kommen.

Die Einstellung des PERSONAL BACK in seinen drei (3) verschiedenen Einstellungspositionen hat direkten Einfluß auf die Stabilität des Rollstuhls. Wenn der PERSONAL BACK an einem Rollstuhl mit **KIPPVORRICHTUNG** und/oder mit **RÜCKLEHNEINRICHTUNG** angebracht wird, kann es zu einer Minderung der Rollstuhlstabilität kommen. Sie müssen daher entweder die **VORDERROLLEN**, die **HINTERRÄDER**, den **RÜCKENLEHNENWINKEL**, den **KIPPWINKEL**, das Maß der **RÜCKENNEIGUNG** und/oder die **SITZTIEFE** neu einstellen, bevor Sie den Rollstuhl weiter benutzen. Üben Sie äußerste Sorgfalt, wenn Sie eine neue Sitzposition einstellen.

Wenden Sie sich an Ihren Therapeuten und Ihren Arzt, sollten Sie Fragen in Bezug auf Ihre individuellen Einschränkungen und Bedürfnisse haben.

Durch eine enge Zusammenarbeit mit Ihrem Therapeuten, Arzt und Lieferanten können Sie am besten sicherstellen, daß die Einstellung Ihres PERSONAL BACK Ihren individuellen Bedürfnisse entspricht.

Da die individuellen Bedürfnisse immer komplexer werden, wird der Einsatz des PERSONAL BACK immer wichtiger.

**HINWEIS**

Die Information in diesem Dokument kann jederzeit geändert werden.

**EINFÜHRUNG**

Die PERSONAL BACK ist dazu entworfen, die Haltung und die Wirbelsäulenausrichtung des Anwenders zu verbessern. Der Bezug des PERSONAL BACK ist aus wasserabweisendem Textilstoff gefertigt und schützt den darunterliegenden Schaumstoff.

**ERMITTLUNG DER BEFESTIGUNGSPOSITION ZUR MONTAGE DES PERSONAL BACK (ABBILDUNG 1)**

1. Nehmen Sie den PERSONAL BACK aus der Verpackung.
2. Entfernen Sie alle Vorrichtungen, die die Polsterung an den Hinterrohren des Rollstuhls festhalten.
3. **Benutzen Sie die folgende Formel nachdem Sie von Ihrem Arzt daraufhin untersucht wurden (ABBILDUNG 1).**

<i>Rückenhöhe Anforderung des Therapeuten - (A)</i>	<i>(-) Rückhöhe des Personal Back (Area B)</i>	<i>(=) Distanz zwischen Personal Back und Sitzkissen (Area C)</i>
<i>Distanz zwischen Personal Back und Sitzkissen (Area C)</i>	<i>(+) Distanz von Unterkante des Personal Back bis zur Oberkante der Befestigungsteile (Area D)</i>	<i>(=) Anbaulage der Befestigungsteile (Area E)</i>

4. Messen Sie die **Gesamthöhe des PERSONAL BACK (Gebiet B)**.
5. Subtrahieren Sie die **Gesamthöhe des PERSONAL BACK (Gebiet B)** von der von Ihrem **Arzt empfohlenen erforderlichen Gesamthöhe des PERSONAL BACK (A)**. Hieraus ergibt sich der Abstand zwischen dem Unterteil des PERSONAL BACK und dem Sitzpolster (Bereich C).
6. Messen Sie die **Gesamthöhe vom unteren Ende des PERSONAL BACK bis zur Oberkante der am oberen Rand angebrachten Befestigungen**.
7. Addieren Sie die Werte von Bereich D und C. Dadurch erhalten Sie den Wert für die zusätzliche Höhe und die Befestigungspunkte der Montageklammern.
8. Messen Sie die Entfernung vom Kissen zum Rückenrahmen / Rohr (**Bereich E, Schritt 7**) und markieren Sie (**beide Seiten**) diese auf der Innenseite des Rückenrahmens / Rohr.

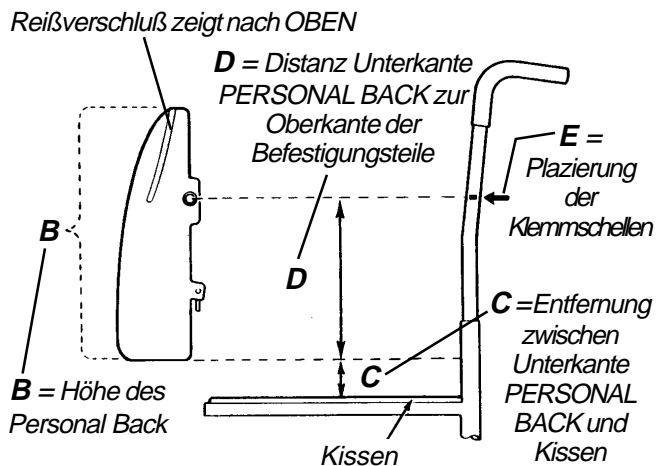


ABBILDUNG 1 - ERMITTLUNG DER BEFESTIGUNGSPOSITION ZUR MONTAGE DES PERSONAL BACK

## PERSONAL BACK/PERSONAL BACK PLUS MONTAGE DER BEFESTIGUNGSTEILE

Dieser Montagesatz enthält folgendes:

Beschreibung	Menge
Montageblech zur Positionsverstellung	2
Kurze Kreuzschlitz - Schrauben	4
Sicherungsmuttern	4
Lange Schrauben	4
Standard Muttern	4
Winkel	2
Klemmeinsätze	4
Klemmschelle, halbiert für 1-Zoll (25mm)	4
Rohre	4

*HINWEIS:* Nicht alle Teile sind für die Montage erforderlich. Lesen Sie diese Anleitung sorgfältig.

### WARNUNG

VERSUCHEN SIE NICHT, die 1-Zoll (25 mm) Klemmschellen für Rohre von 3/4 Zoll (19 mm) Durchmesser anzupassen.

## MONTAGE an Rollstühlen mit Rückenrohren von 1 Zoll (25 mm) Durchmesser (Abbildung 2)

Halten Sie folgende Werkzeuge bereit:

- 1/8-Zoll Innensechskantschlüssel
- 3/8-Zoll Gabel- oder Maulschlüssel

Benötigte Teile:

Benötigte Teile:	Menge
Montagebleche zur Positionsverstellung	2
1-Zoll (25mm) Klemmschellen, halbiert	4
Klemmeinsätze	4
Lange Schrauben	4
Sicherungsmuttern	4

- Ermittlung der Rückenhöhe: Siehe hierzu "ERMITTLUNG DER BEFESTIGUNGSPOSITION ZUR MONTAGE DES PERSONAL BACK" in dieser Anleitung.
- Führen Sie zwei lange Schrauben (von der Innenseite her) in die kleinen Löcher auf dem Montageblech ein, führen Sie diese dann durch die Klemmschellen. Ziehen Sie die Muttern zur Sicherung der Klemmschelle fest.
- Gehen Sie wahlweise wie folgt vor:
  - Klemmschelle ist fest - mit dem nächsten Schritt fortfahren
  - Klemmschelle ist lose: MONTAGE AN ROLLSTÜHLEN MIT RÜCKENROHREN VON 7/8 ZOLL (22 MM) DURCHMESSER

*HINWEIS:* Die Klammer darf sich nicht in das Rohr einkerben.

- Wiederholen Sie diesen Vorgang für die andere Seite und stellen Sie sicher, daß beide Klammern auf gleicher Höhe und parallel zueinander sind.
- Prüfen Sie die Festigkeit der Muttern.

*HINWEIS:* Die Befestigungsklammer kann leicht durch das Lockern der Schraube verstellt werden und auf dem Rohr hin und her geschoben werden, um die richtige Höheneinstellung zu erreichen.

- Befestigung des PERSONAL BACK. Siehe hierzu "MONTAGE DES PERSONAL BACK / PERSONAL BACK PLUS" in dieser Anleitung.

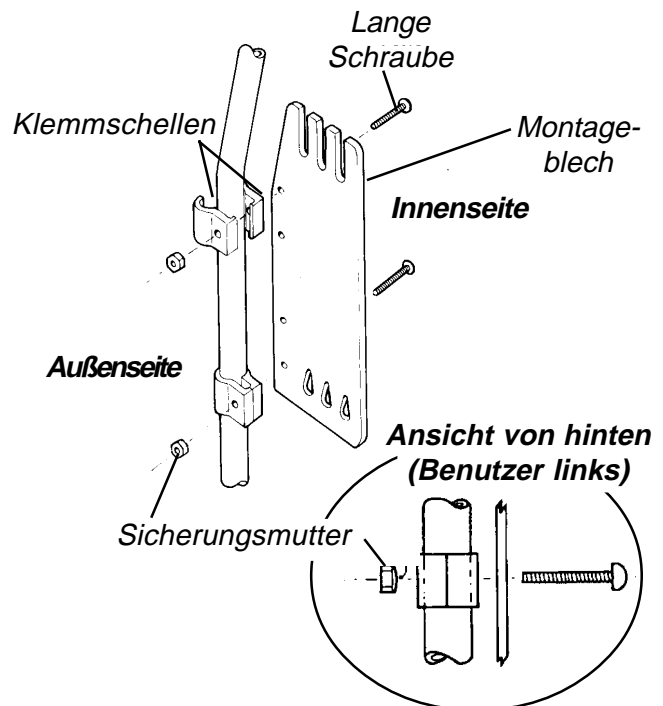
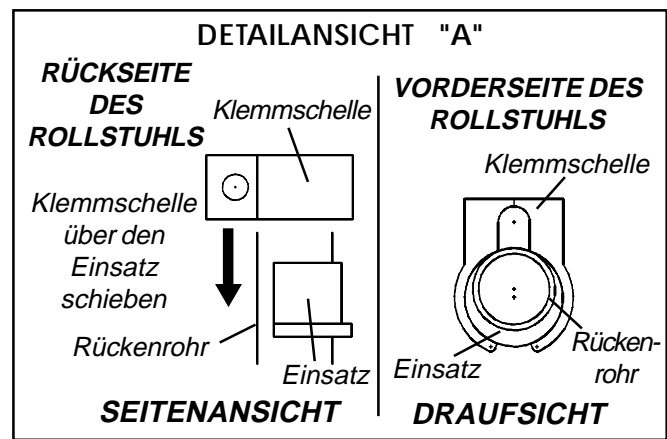
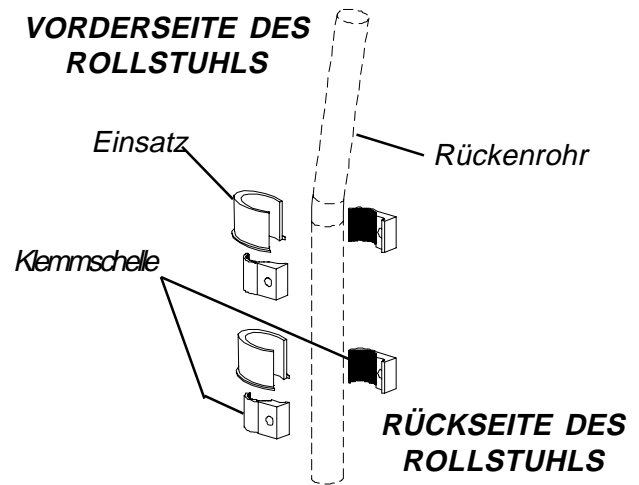


ABBILDUNG 2 - MONTAGE AN ROLLSTÜHLEN MIT RÜCKENROHREN VON 1 ZOLL (25 MM) DURCHMESSER

**MONTAGE an Rollstühlen mit Rückenrohren von 7/8 Zoll (22 mm) Durchmesser (ABBILDUNG 3)**

*HINWEIS: Das folgende Vorgehen trifft nur zu, wenn die Klemmschellen für das Rückenrohr zu groß sind.*

1. Führen Sie zwei lange Schrauben (von innen her) durch die kleinen Löcher des Montageblechs und dann durch die Klemmschellen ein. Siehe ABBILDUNG 2.
2. Plazieren Sie einen (1) Einsatz auf dem Rückenrohr, so daß die Einsatzöffnung dem Rückenteil des Rollstuhls gegenüberliegt.
3. Schieben Sie die Klemmschelle über den Einsatz, bis die Hälfte der Klemmschelle den Einsatz umschließt, wie in ABBILDUNG 3, DETAILANSICHT "A" dargestellt.
4. Ziehen Sie die Mutter zur Sicherung der Klemmschelle fest.
5. Gehen Sie wahlweise wie folgt vor:
  - A. Klemmschellen sind fest - mit dem nächsten Schritt fortfahren.
  - B. Klemmschellen sind lose - verfahren Sie gemäß MONTAGE AN ROLLSTÜHLEN MIT HILFE VON EINSÄTZEN.
6. Wiederholen Sie die SCHRITTE 1 - 4 für die verbleibenden Klemmschellen und stellen Sie sicher, daß die Höhe auf beiden Seiten gleich ausgerichtet ist, und das sie parallel zueinander liegen.
7. Befestigung des PERSONAL BACK. Beachten Sie die MONTAGE DES PERSONAL BACK / PERSONAL BACK PLUS



**ABBILDUNG 3 - MONTAGE AN ROLLSTÜHLEN MIT RÜCKENROHREN VON 7/8 ZOLL (22 MM) DURCHMESSER**

**MONTAGE an Rollstühlen mit Hilfe von Winkel (Abbildung 4)**

<b>Halten Sie folgende Werkzeuge bereit:</b> Kreuzschlitzschraubendreher 3/8-Zoll Ring- oder Maulschlüssel	
<b>Benötigte Teile:</b>	<b>Menge</b>
Montagebleche zur Positionsverstellung	2
Winkel	2
Kurze Kreuzschlitzschrauben	4
Sicherungsmuttern	4

1. Ermittlung der Rückenhöhe. Siehe hierzu ERMITTLUNG DER BEFESTIGUNGSPPOSITION ZUR MONTAGE DES PERSONAL BACK in dieser Anleitung.
2. Die Winkel mit Hilfe der vorhandene Polsterlöcher und der vorhandenen Montageteile an den Rückenrohren befestigen
3. Achten Sie darauf, daß das Oberteil des Montageblechs nach Befestigung am Winkel 1/2 Zoll (1,2 cm) höher steht, als die Markierung, wie Sie unter SCHRITT 8 zur EINSTELLUNG DER BEFESTIGUNGSPPOSITION ZUR MONTAGE DES PERSONAL BACK in dieser Anleitung bestimmt wurde (DETAILANSICHT "A", ABBILDUNG 4).
4. Führen Sie zwei (2) kurze Schrauben (von innen her) durch die kleinen Löcher auf dem Montageblech, dann durch die Winkel. Ziehen Sie diese mit zwei Sicherungsmuttern fest, um das Montageblech an dem Winkel sicher zu befestigen.
5. Wiederholen Sie diesen Vorgang auf der anderen Seite und achten Sie darauf, daß beide Seiten hinsichtlich der Höhe übereinstimmen und parallel zueinander verlaufen.
6. Befestigung des PERSONAL BACK. Beachten Sie die MONTAGE DES PERSONAL BACK/PERSONAL BACK PLUS in dieser Anleitung.

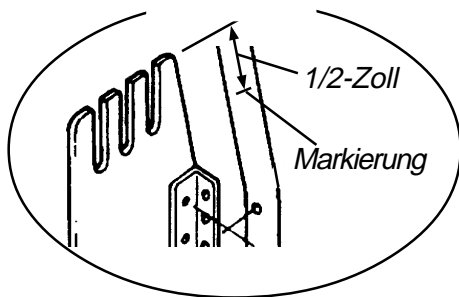
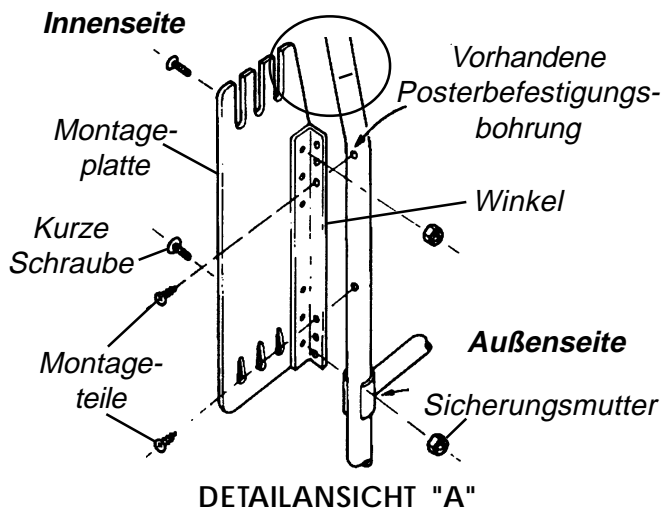


ABBILDUNG 4 - MONTAGE AN EINEM ROLLSTUHL MIT HILFE VON WINKELN

## BENUTZUNG DES PERSONAL BACK

Die PERSONAL BACK verfügt über bewegliche Lendenschaumstoffkissen an der rechten und linken Seite, die mittels einer Haken und einer Schlaufenbefestigung an dem äußeren Gehäuse befestigt ist und dadurch zusätzliche Unterstützung gibt. Um an das Lendenschaumstoffkissen zu gelangen, öffnen Sie den Bezug und drücken Sie den Schaumstoff nach vorne, vom Gehäuse weg. Die Lendenschaumstoffkissen können dann erreicht werden, um weitere Einstellungen vorzunehmen.

## MONTAGE DES PERSONAL BACK/ PERSONAL BACK PLUS (ABBILDUNG 5)

### WARNUNG

Die Einstellung der Rückenlehne in ihre drei (3) verschiedenen Einstellungen (in den Befestigungsklammern) hat direkten Einfluß auf die Stabilität des Rollstuhls. Wenn die Rückenlehne an einem Rollstuhl mit KIPPVORRICHTUNG und/oder mit RÜCKENWINKELVERSTELLUNG angebracht wird, kann es zu einer Minderung der Rollstuhlstabilität kommen. Sie müssen daher entweder die VORDERRÄDER, die HINTERRÄDER, den RÜCKENLEHNENWINKEL, den KIPPWINKEL, oder das Maß der RÜCKLEHNE und/oder die SITZTIEFE neu einstellen, bevor Sie den Rollstuhl weiter benutzen. Üben Sie äußerste Sorgfalt, wenn Sie eine neue Sitzposition einstellen.

1. Befestigen Sie den PERSONAL BACK so auf dem Montageblech, daß die oberen Stehbolzen in die zugehörigen Schlitze eingreifen.
2. Bewegen Sie den unteren Sicherungsstift bis dieser am Montageblech anliegt.
3. Führen Sie die unteren Sicherungsstifte in einen (1) der drei (3) Sätze der tropfenförmigen Löcher auf der Unterseite der Montagebleche ein.
4. Zum Verschließen drehen Sie die Hebel nach unten.

### WARNUNG

Stellen Sie sicher, daß die Haken und Schlaufenriemen die Hebel sicher halten. Wenn die Hebel nicht entsprechend verschlossen sind, kann sich die Rückenpolsterung lösen.

5. Sicherungsstifte gegen Drehung mit Klettverschluß auf der Rückseite der Abdeckung sichern
6. Wenn Sie den PERSONAL BACK entfernen wollen, folgen Sie den **Schritten 1 - 5** in umgekehrter Reihenfolge.

*HINWEIS: Makieren Sie die obere und untere Einstellung der Befestigungsklammer für andere Personen, wie Familie oder Pflegepersonal. Die richtige Position ist so immer klar nachvollziehbar.*

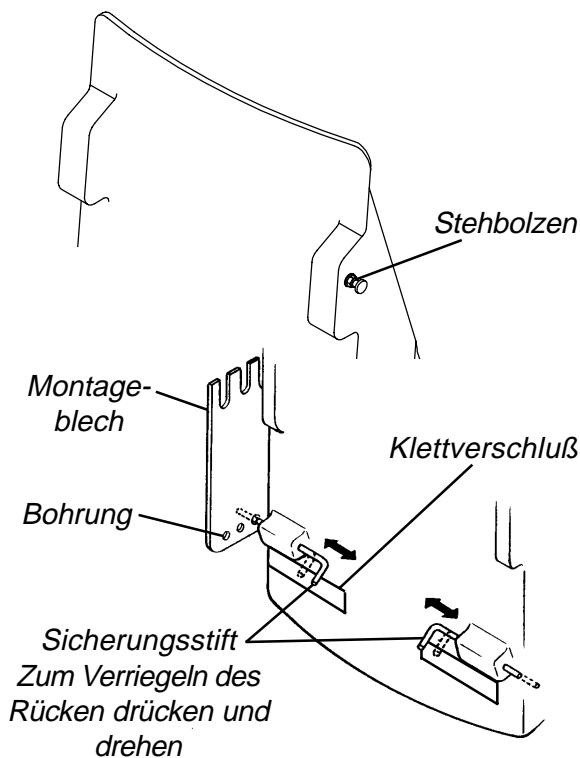


ABBILDUNG 5 - MONTAGE DES PERSONAL BACK/PERSONAL BACK PLUS

## ANBAU EINER KOPFSTÜTZE

Sie können am PERSONAL BACK eine Kopfstütze anbringen. Sie MÜSSEN dazu die Kopfstützen Verstärkungsplatte benutzen, die als Option erhältlich ist.

## WARTUNG DES PERSONAL BACK

### WARNUNG

Verwenden Sie das Produkt nicht weiter, wenn Sie Fehler entdeckt haben.

### Reinigungsanweisungen

#### RÜCKENBAUGRUPPE.

Reinigen Sie den PERSONAL BACK wöchentlich mit einem feuchten Tuch. Wischen Sie die gesamte Oberfläche ab.

Sie sollten wöchentlich alle Teile einschließlich der Halterungen, Polsterung, Schaumstoff (falls erreichbar) und Kunststoffe auf Deformierung, Korrosion, Bruch, Verschleiß oder Kompression überprüfen.

Überprüfen Sie wöchentlich alle Befestigungen und stellen Sie sicher, daß alle mechanischen Verbindungen gesichert sind.

### BEZUG.

#### ACHTUNG

Waschen Sie den Bezug in einer MASCHINENWÄSCHE mit kaltem Wasser in einem sanften Waschgang und verwenden Sie ein mildes Waschmittel. Benutzen Sie KEINE Weichmacher oder Bleichmittel. Trocknen Sie ihn NICHT in einem Wäschetrockner. NUR an der Luft und NICHT in direkter Sonne trocknen.

### SCHAUMSTOFF.

Wenn der Schaumstoff aufgrund von Inkontinenz verschmutzt wird, dann sollte die Rückenlehne ausgewechselt werden, da der Schaumstoff hoch absorbierend ist und nicht gereinigt werden kann. Der Schaumstoff kann nicht durch Werksfremde ausgetauscht werden, da er fest am Gehäuse angebracht ist.

#### WARNUNG

Der Bezug schützt gegen die mögliche Inkontinenz des Benutzers und ist nicht entflammbar, das Kissen sollte daher nie ohne den Bezug eingesetzt werden. Wenn der Bezug eingerissen ist, sollte er ausgetauscht werden.

## **HINWEIS ZUR GARANTIE**

Diese Gewährleistung erstreckt sich nur auf den Erstkäufer dieses Produktes und hat keinerlei einschränkende Wirkung auf die normalen Konsumentenrechte.

Invacare garantiert für die Dauer von einem (1) Jahr seit dem Kaufdatum, daß die Schaumstoffkissen keinerlei materielle Defekte haben. Der Kissenbezug hat eine Garantie für einen Zeitraum von neunzig (90) Tagen ab Kaufdatum. Invacare garantiert daß alle Metallteile frei von material- und/oder Verarbeitungsdefekten sind. Diese Garantie gilt für die gesamte Einsatzzeit des Produktes, schließt jedoch jegliche Holz-, Schaumstoff und Polsterungsteile aus. Sollte innerhalb dieser Garantiezeit nachgewiesen werden, daß das Produkt defekt war, so wird es entweder je nach Wahl durch Invacare repariert oder ersetzt. Diese Garantie bezieht sich exklusiv nur auf die Verpflichtung von Invacare, die Behebung des unter dieser beschränkten Garantie entstandenen Produktschadens durch Reparatur oder Ersatz durchzuführen.

Zur Inanspruchnahme des Garantieservices wenden Sie sich zu den üblichen Geschäftszeiten an Ihr Sanitätshaus. Nach Erhalt einer Fehlermeldung wird Invacare Ihnen eine Rücksendungsgenehmigung ausstellen. Das Produkt kann dann entweder an das Invacare Werk oder das Invacare Servicezentrum zurückgesandt werden. Defekte Bauteile, die zu einer unter der Garantie abgedeckten Inspektion zurückgesandt werden sollen, müssen unter Angabe des Rücksendungsbezugszeichens innerhalb von dreissig (30) Tagen zurückgesandt werden. Bitte senden Sie keine Produkte an unser Werk ohne Rücksendungsgenehmigung.

**EINSCHRÄNKUNGEN UND GEWÄHRLEISTUNGS AUSSCHLÜSSE: DIE VORSTEHENDE GEWÄHRLEISTUNG GILT NICHT BEI NORMALEN VERSCHLEIBERSCHINUNGEN, FAHRLÄSSIGKEIT, UNFÄLLEN, UNSACHGEMÄßER HANDHABUNG, WARTUNG ODER LAGERUNG, KOMMERZIELLER NUTZUNG DER PRODUKTE, PRODUKTÄNDERUNGEN OHNE AUSDRÜCKLICHE SCHRIFTLICHE GENEHMIGUNG SEITENS INVACARE (EINSCHLIEßLICH UNTER ANDEREM ÄNDERUNG DURCH VERWENDUNG NICHT GENEHMIGTER TEILE ODER ANBAUTEN) ODER FÜR PRODUKTE, DIE OHNE GENEHMIGUNG SEITENS INVACARE REPARIERT ODER DURCH UMSTÄNDE BESCHÄDIGT WURDEN, DIE AUßERHALB DER EINFLUßMÖGLICHKEITEN VON INVACARE LIEGEN.**



NB: Controleer alle onderdelen op mogelijke transportschade. Ingeval van schade aan een der delen, NIET GEBRUIKEN. Neem contact op met uw leverancier voor verdere instructies.

**VEILIGHEIDSINSTRUCTIES**

Waarschuwingen zijn van toepassing op mogelijke gevaren die kunnen leiden tot persoonlijke verwonding of schade aan producten.

**WAARSCHUWING**

Dit product niet monteren voordat u eerst deze instructies gelezen en begrepen hebt. Als het u niet lukt deze instructies te begrijpen, neem dan contact op met uw leverancier voordat u probeert deze uitrusting te installeren, anders kan dit tot verwondingen of beschadigen leiden.

De positie van de Personal Back in de drie (3) verschillende montageplaat gaten zijn direct van invloed op de stabiliteit van de stoel. Als de Personal Back aan een KANTELBARE stoel en/of stoel met verstelbare rugleuning wordt bevestigd, kan het de stabiliteit van de stoel veranderen. Het kan noodzakelijk zijn om vóór gebruik de VOORWIELEN, ACHTERWIELEN, HOEK VAN DE RUGLEUNING, KANTELRUIMTE, VERSTELLINGSPPOSITIE en/of de ZITDIEPTE bij te stellen. Wees UITERST voorzichtig bij een nieuwe zitpositie.

Raadpleeg uw therapeut en dokter als u vragen hebt over gewichtsverlies, zelf uw huid onderzoeken, of uw persoonlijke beperkingen en behoeften.

Samenwerken met uw therapeut, dokter en leverancier is de beste manier om te waarborgen dat een Personal Back bij uw persoonlijke behoeften past.

Omdat de behoeften van de individueer complex worden, wordt de evaluatie van de Personal Back belangrijker.

**OPMERKING**

De informatie in dit document kan zonder kennisgeving veranderd worden.

**INTRODUCTIE**

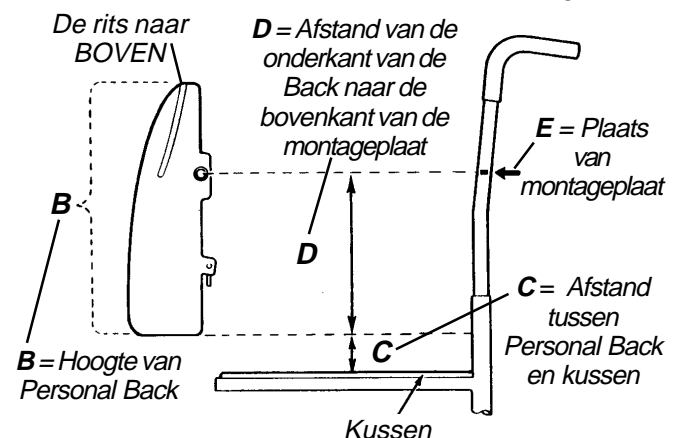
De Personal Back is ontworpen om de gebruiker steun bij zijn houding en het recht houden van zijn ruggegraat te geven. De overtrek is gemaakt van een waterafstotende stof om het schuim te beschermen.

**BEPAAAL DE PLAATS VOOR MONTAGE VAN DE PERSONAL BACK (FIGUUR 1)**

1. Neem de rugleuning uit de verpakking.
2. Verwijder het montage materiaal waarmee de rugbekleding aan de rugbuizen vastzit.
3. Om de hoogte van de rugleuning te krijgen die therapeut (A) na een lichamelijk onderzoek voorschrijft, gebruikt u de volgende formule (FIGUUR 1):

<i>Totale hoogte van (-) rugleuning volgens therapeut (Zone A)</i>	<i>Hoogte van Personal Back (Zone B)</i>	<i>(=) Afstand tussen Personal Back en kussen (Zone C)</i>
<i>Afstand tussen Personal Back en kussen (Zone C)</i>	<i>(+) Afstand van de onderkant van de Back tot de bovenkant van het bev. materiaal (Zone D)</i>	<i>(=) Plaats van montage consoles (Zone E)</i>

4. Meet de **totale hoogte van de Personal Back (Zone B)**.
5. Trek de **totale hoogte van de Personal Back (Zone B)** af van de **totale hoogte voorgeschreven door de therapeut (A)**. Zo krijgt u de **afstand tussen de Personal Back en het kussen (Zone C)**.
6. Meet de **afstand van de onderkant van de Back tot de bovenkant van het montage materiaal (Zone D)**.
7. Tel **Zone D** en **Zone C** bij elkaar op. Zo kunt u bepalen hoeveel hoogte nog nodig is en waar **de plaats van de montageplaat (Zone E)** komt.
8. Meet de afstand van het kussen naar het stoelframe/ de rugbuizen en zet **(aan beide kanten)** een streepje aan de binnenkant van het stoelframe/ de rugbuizen.



**FIGUUR 1 - HET BEPALEN VAN DE HOOGTE VAN DE RUG VOOR ALLE STOELN**

## PERSONAL BACK/PERSONAL BACK PLUS MONTAGE VAN DE BEVESTIGINGSPLATEN

De montageset bestaat uit:

OMSCHRIJVING	AANTAL
BEVESTIGINGSPLATEN	2
KORTE BOUTEN MET KRUIKOP	4
BORGMOEREN	4
LANGE BOUTEN	4
MOEREN	4
L-STRIPS	2
KLEM VULLING	4
HALVE KLEM VOOR 25mm BUIZEN	4

NB: alle materialen worden gebruikt bij de diverse montage mogelijkheden.

### WAARSCHUWING

Gebruik de meegeleverde klemmen niet voor 19 mm rugbuizen.

### Montage op rolstoelen met 1-inch (25mm) diameter rugbuizen (FIGUUR 2)

#### Gebruik de volgende gereedschappen:

- 1/8-inch inbussleutel
- 3/8-inch steeksleutel

#### Benodigde onderdelen:

Benodigde onderdelen:	Aantal
Bevestigingsplaten	2
1-inch (25mm) klemdelen	4
Klemvulling	4
Lange bouten	4
Borgmoeren	4

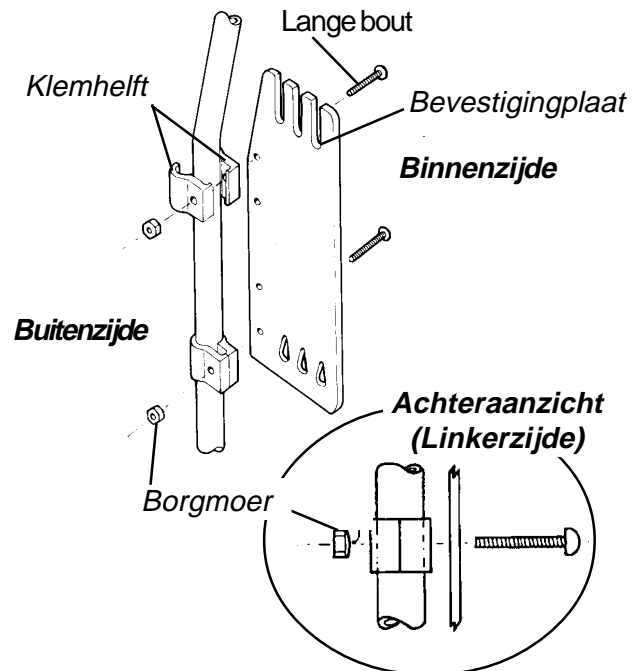
- Bepaal de rughoogte. Zie: BEPALEN MONTAGEPOSITIE VOOR PLAATSEN PERSONAL BACK in deze handleiding.
- Plaats twee (2) lange bouten (van binnenuit) door de kleine gaten in de bevestigingsplaat en vervolgens door de klemhelft. Draai de moeren aan om de klemmen te bevestigen.
- Voer een (1) van onderstaande uit:
  - Klemmen vast - volgende stap uitvoeren.
  - Halve klemmen los - Zie BEVESTIGING OP ROLSTOELN MET 7/8-INCH (22MM) DIAMETER RUGBUZEN.

NB: Klem moet zich vastzetten in de rugbuis.

- Herhaal de handeling voor de andere zijde en overtuig u ervan dat de klemmen op gelijke hoogte en parallel aan elkaar zijn.
- Controleer of alle moeren vast zitten.

NB: De klemmen makkelijk versteld worden door ze iets los te draaien, en kunnen vervolgens omhoog/omlaag te schuiven langs de rugbuizen en de gewenste hoogte in te stellen.

- Plaats de Personal Back. Zie: PERSONAL BACK/PERSONAL BACK PLUS MONTAGE in deze handleiding.



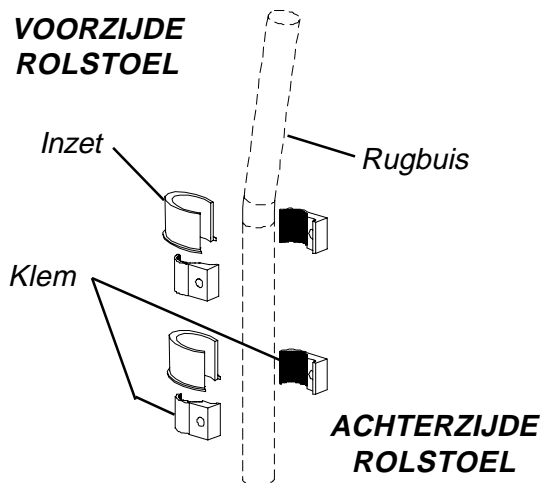
FIGUUR 2 - MONTAGE OP ROLSTOELN MET 1-INCH (25MM) DIAMETER RUGBUZEN

### Montage op rolstoelen met 7/8-Inch (22mm) Diameter rugbuizen (FIGUUR 3)

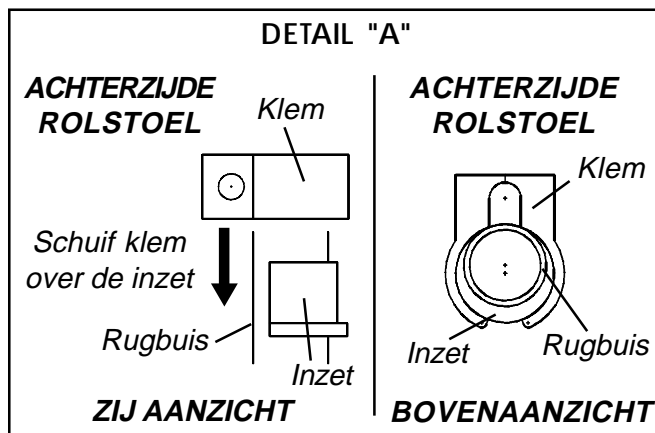
NB: Deze handeling dient alleen uitgevoerd te worden wanneer de klemmen te groot zijn voor de rugbuizen.

- Plaats twee (2) lange bouten (van binnenuit) door de kleine gaten in de bevestigingsplaat en vervolgens door de klemhelften. Zie FIGUUR 2.
- Plaats 1 klemvulling (1) op de rugbuis met de holte naar de achterzijde van de rolstoel toe.
- Plaats de klem over de klemvulling tot de klem de vulling volledig afdekt als aangegeven in FIGUUR 3, DETAIL "A".
- Draai de moeren vast.
- Doe een (1) van onderstaande:
  - Klemmen vast - volgende stap uitvoeren.
  - Klemmen los - Zie MONTAGE OP ROLSTOELN M.B.V. L-STRIPS.
- Herhaal STAP 1 - 4 met overgebleven klemhelften en zorg ervoor dat de klemmen op gelijke hoogte en parallel gemonteerd worden.

- Plaats de Personal Back. Zie PERSONAL BACK/ PERSONAL BACK PLUS MONTAGE in deze handleiding.



- Bevestig de L-strips aan de rugbuizen door gebruik te maken van bestaande gaten en bevestigingsmaterialen.
- Zorg ervoor dat de L-strip 1.2 cm hoger wordt geplaatst dan de markering bepaald in stap 8 van BEPALEN VAN DE POSITIE VOOR MONTAGE VAN DE PERSONAL BACK in deze handleiding (DETAIL "A", FIGUUR 4).
- Plaats twee (2) korte bouten (vanuit de binnenzijde) door de kleine gaten in de bevestigingsplaat en vervolgens door de L-strip. Vastzetten met de borgmoeren.
- Herhaal de procedure aan de andere zijden en zorg ervoor dat de hoogte van de L-strip aan de andere zijde even hoog is en parallel staat.
- Plaats de Personal Back. Zie PERSONAL BACK/ PERSONAL BACK PLUS MONTAGE in deze handleiding.

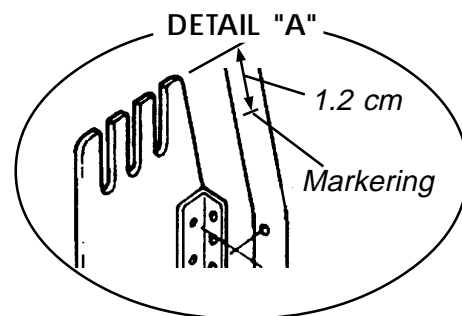
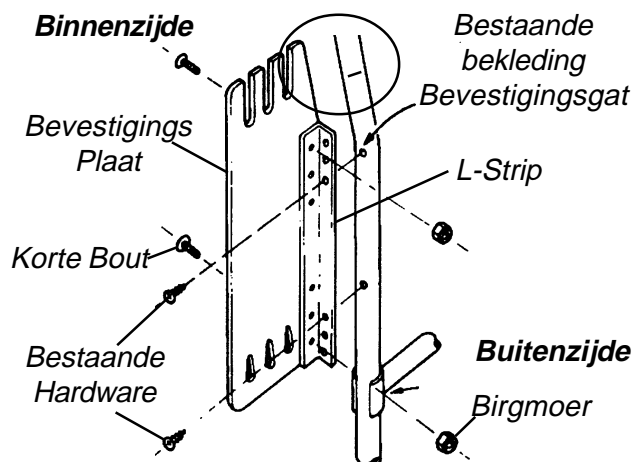


FIGUUR 3 - MONTAGE OP ROLSTOELN MET 7/8-INCH (22MM) DIAMETER RUGBUIZEN

### Montage op rolstoelen met de L-strips (FIGUUR 4)

<b>Navolgende gereedschappen zijn nodig:</b> Kruiskop schroevendraaier 3/8-inch steeksleutel	
<b>Benodigde onderdelen:</b>	<b>Aantal:</b>
Bevestigingsplaat	2
L-Strips	2
SKorte kruiskop schroeven	4
Borgmoeren	4

- Bepaal de rughoogte. Zie: BEPALEN VAN DE POSITIE VOOR MONTAGE VAN DE PERSONAL BACK in deze handleiding.



FIGUUR 4 - MONTAGE AAN DE ROLSTOEL MET L-STRIPS

## GEBRUIK VAN DE PERSONAL BACK

Bij de Personal Back hoort een verplaatsbaar schuimkussen voor de lendenen en rechts en links zijschuimkussens die met klittenband aan het omhulsel van de rugleuning vastgemaakt zijn om ze beter te kunnen plaatsen. Om bij het lendenenkussen en de zijkussens te kunnen, ritst u de omtrek open en drukt u het schuim vooruit, weg van de achterkant van de schaal. Dan kunnen het lendenenkussen en de zijkussens bijgesteld worden.

## MONTAGE VAN DE PERSONAL BACK/PERSONAL BACK PLUS (FIGUUR 5)

### WAARSCHUWING

De positie van de Personal Back in de drie (3) verschillende montageconsolegroepen zijn direct van invloed op de stabiliteit van de stoel. Als de Personal Back aan een KANTELBARE stoel en/of stoel met verstelbare rugleuning wordt bevestigd, kan het noodzakelijk zijn om vóór gebruik de VOORWIELEN, ACHTERWIELEN, HOEK VAN DE RUGLEUNING, KANTELRUIMTE, VERSTELLINGSPOSITIE en/of de ZITDIEPTE bij te stellen. Wees UITERST voorzichtig bij een nieuwe zitpositie.

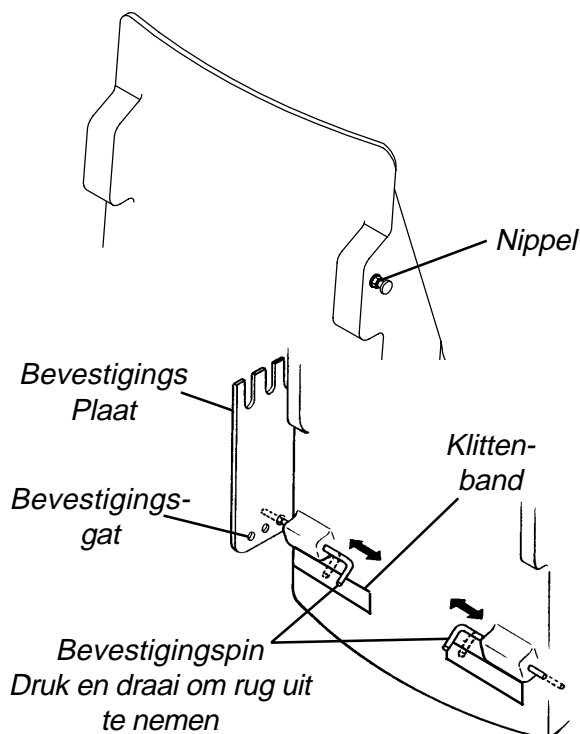
1. Plaats de Personal Back zo op de bevestigingsplaat dat de bovenste nippels in de juiste sleuven vallen.
2. Draai de onderste bevestiging zo dat de druppelvorm gelijk valt met de gaten.
3. Plaats de onderste pinnen in een (1) van de drie (3) gaten in de onderste rij gaten van de bevestigingsplaat
4. Vastzetten door de pinnen een slag te draaien waardoor ze naar beneden wijzen met de punt na het vergrendelen.

### WAARSCHUWING

Zorg ervoor dat het klittenband over de grendels van de vergrendelpinnen is aangebracht. De Personal Back kan loskomen als de pinnen niet vergrendeld zijn.

5. Vergrendel de onderste pinnen met het klittenband aan de achterzijde op de hoës.
6. Om de Personal Back te verwijderen, doet u **STAP 1-5** in omgedraaide volgorde.

*NB: Zet een streepje bij de onderste en bovenste montageplaatsen van de montageconsole van de Personal Back, in geval dat familieleden of verzorgers het nodig hebben.*



FIGUUR 5 - PERSONAL BACK/PERSONAL BACK PLUS MONTAGE

### Hoofdsteen montage

Het is toegestaan een hoofdsteen te monteren op de PERSONAL BACK/-PLUS. Hiervoor dient een verstevigingsplaat gebruikt te worden die separaat besteld kan worden.

## ONDERHOUD VAN DE PERSONAL BACK

### WAARSCHUWING

Gebruik dit product niet ingeval van schades. Reparatie of onderhoud dient uitgevoerd te worden door uw leverancier

### Schoonmaakinstructies

#### HET MATERIAAL VAN DE PERSONAL BACK.

Maak wekelijks schoon met een vochtige doek. Wrijf over de gehele oppervlakte.

Inspecteer wekelijks alle delen waaronder montage materiaal, consoles, bekledingmaterialen, schuim (als er bij te komen is) en plastic op vervorming, verroesting, scheuren, slijtage of samendrukking.

Controleer wekelijks ALLE bevestigingsmiddelen om u ervan te verzekeren dat de mechanische verbindingen vast zitten.

---

**OVERTREK.****WAARSCHUWING**

Koud wassen in de wasmachine. Rustige cyclus. Mild wasmiddel. GEEN wasverzachters of bleekmiddel. NIET met de droogtrommel drogen. ALLEEN natuurlijk en uit de zon laten drogen.

**WAARSCHUWING**

De overtrek is ontworpen om het schuim tegen de incontinentie van de gebruiker te beschermen en om brandvertraging te bieden. Daarom moet het kussen niet zonder de overtrek gebruikt worden. Als de overtrek gescheurd is, moet hij vervangen worden.

**SCHUIM.**

Als het schuim van de rugleuning bevuild wordt vanwege incontinentie, moet de rugleuning vervangen worden omdat het schuim absorberend materiaal is en niet schoongemaakt kan worden. Het schuim kan niet onafhankelijk vervangen worden omdat het aan het omhulsel van de rugleuning vastgemaakt zit.

---

**BEPERKTE GARANTIE**

Deze garantie wordt alleen aan de oorspronkelijke koper van onze producten verleend en beïnvloedt de statutaire rechten van de koper niet.

De Invacare Service-vertegenwoordiger garandeert dat het schuimkussen vrij is van defecten voor een periode van twee (2) jaar vanaf de datum van aankoop. De overtrek van het kussen heeft een garantie van negentig (90) dagen vanaf de datum van aankoop. Alleen met betrekking tot de oorspronkelijke koper/gebruiker garandeert de Invacare Service-vertegenwoordiger dat de onderdelen die van metaal vervaardigd zijn gedurende de levensduur van het product vrij van defecten in de materialen en uitvoering zijn met uitzondering van de onderdelen van hout, schuimplastic of beklede onderdelen. Indien binnen deze garantieperiode aan de vertegenwoordiger van Invacare Service op bevredigende wijze aangetoond wordt dat het product defecten heeft, zal het gerepareerd of vervangen worden, naar keuze van de vertegenwoordiger van Invacare Service; de enige verplichting van de vertegenwoordiger van Invacare Service en uw uitsluitend recht onder deze garantie zijn beperkt tot hierboven genoemde reparatie of vervanging.

Voor de garantiedienst gelieve tijdens normale werkuren contact op te nemen met de serviceafdeling van Invacare Service-vertegenwoordiger. Na ontvangst van een beweerd defect in een product zal de vertegenwoordiger van Invacare Service een genummerde goedkeuring versturen om het terug te sturen. Het produkt wordt teuggestuurd, ofwel naar de Invacare-fabriek of naar een servicecentre zoals aangegeven door de vertegenwoordiger van Invacare Service. Onderdelen met defecten moeten binnen dertig (30) dagen na datum van de goedkeuring, met gebruik van het serienummer als identificatie teruggestuurd worden voor garantie-inspectie. Stuur de producten NIET terug naar onze fabriek zonder voorafgaande instemming.

**BEPERKINGEN EN UITSLUITINGEN: DE VOORAFGAANDE GARANTIE IS NIET DEKKEND VOOR NORMALE SLIJTAGE EN MAG NIET WORDEN TOEGEPAST OP PRODUCTEN DIE BLOOTGESTELD ZIJN AAN VERWAARLOZING, ONGELUKKEN, INCORRECT GEBRUIK, ONDERHOUD OF BEWARING, COMMERCIEEL OF INSTITUTIONEEL GEBRUIK, PRODUCTEN WAARAAN VERANDERINGEN ZIJN AANGEBRACHT ZONDER DE UITDRUKKELIJKE SCHRIFTELIJKE TOESTEMMING VAN INVACARE (DIT GELDT OOK, MAAR NIET ALLEEN VOOR VERANDERINGEN DOOR MIDDEL VAN NIET TOEGESTANE DELEN OF HULPSTUKKEN) OF PRODUCTEN DIE BESCHADIGD ZIJN VANWEGE UITGEVOERDE REPARATIES AAN ONDERDELEN ZONDER DE SPECIFIEKE TOESTEMMING VAN DE VERTEGENWOORDIGER VAN INVACARE SERVICE.**



NOTE: Verifier toutes les pièces pour s'assurer qu'elles n'ont pas été endommagées pendant le transport. Le cas échéant, NE PAS, utiliser. Contacter le transporteur/fournisseur pour plus d'information.

**SECURITE**

Les MISES EN GARDE/PRECAUTIONS A PRENDRE sont applicables aux pratiques dangereuses ou hasardeuses qui pourraient occasionner des blessures aux personnes et/ou endommager les biens.

**MISE EN GARDE**

NE PAS utiliser cet équipement sans d'abord avoir lu et compris ces instructions. Si vous ne comprenez pas les avertissements, les notes attention et ces instructions, contacter un professionnel des soins de santé, un fournisseur ou un technicien avant d'installer cet équipement, sans quoi des blessures ou des dommages peuvent survenir.

La position de PERSONAL BACK dans les trois rainures des différents supports de montage est directement liée à la stabilité du fauteuil. Lorsque le Dossier PERSONAL BACK est ajouté à un fauteuil à dossier incliné et/ou à assise inclinable, il peut diminuer la stabilité du fauteuil. Il peut être nécessaire d'ajuster à nouveau avant utilisation : ROULETTES AVANT, ROUES ARRIERE, ANGLE DU DOSSIER, ESPACE DE BASCULEMENT, POSITION D'INCLINAISON et/ou PROFONDEUR DE SIEGE. Soyez EXTREMEMENT prudent lors de l'emploi d'une nouvelle position d'assise.

Votre thérapeute et votre médecin devront être consultés au sujet des limites et nécessités personnelles.

Une collaboration avec votre thérapeute, médecin et fournisseur d'équipement est la meilleure manière d'obtenir que votre choix de Dossier s'harmonise avec vos besoins personnels.

Plus les besoins de l'individu sont spécifiques et complexes, plus l'examen du Dossier Personnel devient important.

**REMARQUE**

L'information donnée dans ce document est sujette à modifications sans préavis.

**INTRODUCTION**

PERSONAL BACK est conçu pour apporter à l'utilisateur une bonne posture et un alignement de la colonne vertébrale. La housse est fabriquée en tissu imperméable pour protéger la mousse.

**DETERMINATION DE LA HAUTEUR DE DOSSIER (FIG. 1)**

1. Retirer le dossier de la boîte d'expédition.
2. Retirer la visserie qui maintient les garnitures sur les montants de dossiers.
3. Afin d'obtenir la hauteur de dossier requise après évaluation physique par le thérapeute (A), utiliser la formule suivante (Fig. 1) :

<i>Hauteur totale de dossier Requisite (Thérapeute A)</i>	<i>(-)</i>	<i>Hauteur de PERSONAL BACK (Zone B)</i>	<i>(=)</i>	<i>Distance entre PERSONAL BACK et le coussin (Zone C)</i>
<i>Distance entre PERSONAL BACK Et le coussin (Zone C)</i>	<i>(+)</i>	<i>Distance entre Bas du Dossier et les attaches de montage supérieures (Zone D)</i>	<i>(=)</i>	<i>Position des fixations de montage (Zone E)</i>

4. Mesurer la hauteur totale de PERSONAL BACK (Zone B).
5. Soustraire la HAUTEUR totale de PERSONAL BACK (Zone B) de la hauteur totale du dossier requise par le thérapeute (A). Ceci donne la distance entre PERSONAL BACK et le coussin (Zone C).
6. Mesurer la distance entre le bas du dossier et les attaches de montage supérieures (Zone D).
7. Additionner Zone D à Zone C. Ceci indiquera la hauteur supplémentaire requise et la position des fixations de montage (Zone E).
8. Mesurer la distance obtenue du coussin au châssis (montants de dossier Zone E) et marquer les deux côtés sur l'intérieur des montants du dossier.

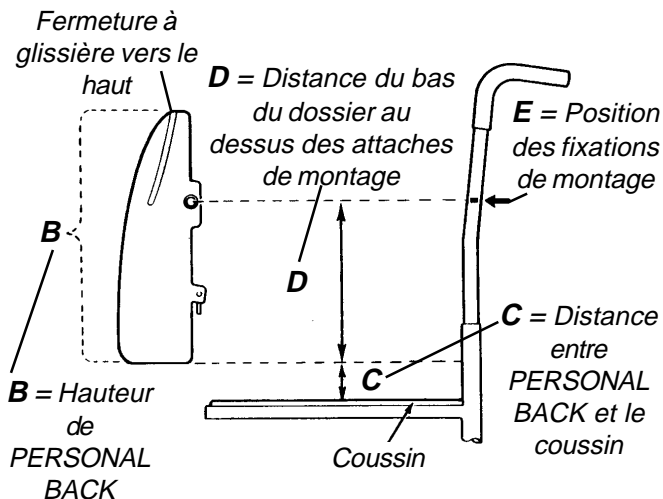


FIG. 1 - DETERMINATION DE LA HAUTEUR DE DOSSIER

## PERSONAL BACK/PERSONAL BACK PLUS PRECAUTION DE MONTAGE

Ce kit comprend les pièces suivantes :

DESCRIPTION	QUANTITÉ
Plaque de montage multi-possion	2
Vis courtes tête Phillips	4
Ecrou de blocage nylon	4
Vis longue	4
Ecrous	4
Charnières fixes	2
Collier de patte de fixation	4
Demi patte de fixation pour tubes de 25 mm de diamètre	4

REMARQUE : Toutes les pièces ne sont pas requises pour chaque installation. Lire soigneusement les instructions.

### MISE EN GARDE

NE PAS essayer de modifier les pinces de 22 ou 25 mm, les utiliser sur des tubes de 19 mm.

### Installation sur fauteuils roulants avec tubes de dossier de 25 mm de diamètre (FIGURE 2)

Outils disponibles:	
Clé Allen 1/8 "	
Clé en croix 3/8"	
Pièces à commander:	Quantité
Plaque de montage multi-position	2
Demi patte de fixation de 25 mm	4
Collier de patte de fixation	4
Boulons longs	4
Ecrou de blocage nylon	4

- Déterminer la hauteur du dossier. Se reporter au paragraphe Position de montage pour l'installation du PERSONAL BACK sur cette notice d'instruction.
- Insérer deux boulons longs (par l'intérieur) dans les petits trous appropriés de la plaque de montage ensuite dans les pattes de fixation. Resserrer les écrous pour bloquer les pattes de fixation.
- Opérer de la manière suivante :
  - Serrage de la demi patte de fixation – voir étape suivante.
  - Si la patte de fixation se desserre, se reporter au paragraphe Installation sur fauteuils roulants avec tubes de dossier de 25 mm de diamètre.

REMARQUE : La patte de fixation devrait faire corps avec le montant.

- Répéter la procédure pour l'autre côté en s'assurant que les deux côtés sont de même hauteur et parallèles.
- Vérifier le serrage de tous les écrous..

REMARQUE : Le support à pince est aisément réglable en dévissant le boulon, en glissant ces pinces vers le bas ou vers le haut du montant de dossier, ceci afin d'obtenir un réglage précis de la hauteur.

- Installation du dossier du Personal back - Se reporter au paragraphe Installation du Personal back/Personal back plus sur cette notice d'instruction.

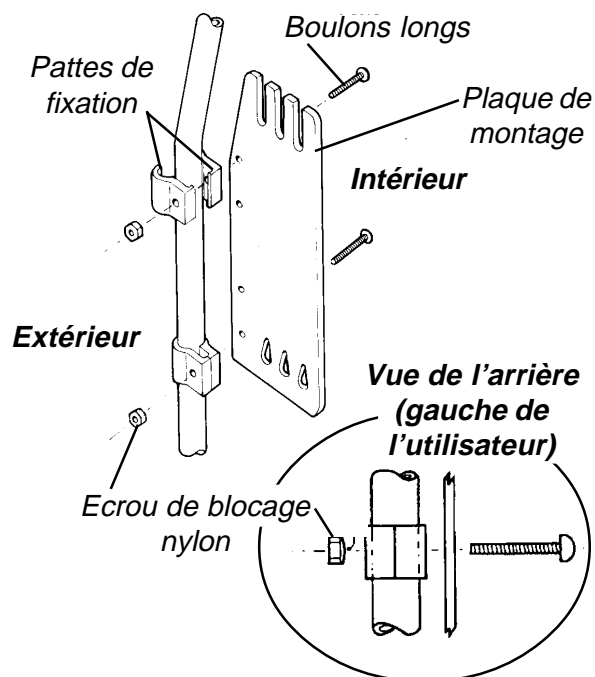


FIG. 2 INSTALLATION DE PERSONAL BACK AVEC ENSEMBLE A PINCES – INSTALLATION STANDARD SUR FAUTEUIL ROULANT (TUBES DIAM. 22 OU 25 MM)

## Installation sur fauteuils roulants avec tubes de dossier de 22 mm de diamètre (FIGURE 3)

**REMARQUE :** Cette manipulation doit être opérée seulement si les pattes de fixation sont trop grandes pour le tube de dossier.

1. Insérer deux boulons longs (par l'intérieur) dans les petits trous appropriés de la plaque de montage, ensuite dans les pattes de fixation (se reporter à la FIGURE 2).
2. Positionner un collier de patte de fixation sur le tube du dossier avec la partie interne du collier face au dos du fauteuil.
3. Faites glisser la patte de fixation par dessus le collier des pattes de fixation jusqu'à ce que les deux moitiés de la patte de fixation entourent le collier – Voir FIGURE 3 Détail A.
4. Resserrer les écrous pour bloquer les pattes de fixation.
5. Opérer de la manière suivante :
  - A. Serrage des deux pattes de fixation – Voir étape suivante.
  - B. Si les pattes de fixation se desserrent, se reporter au paragraphe Installation sur fauteuils possédant des charnières fixes.
6. Répéter l'opération 1-4, pour le reste des pattes de fixation, en s'assurant que les deux côtés s'adaptent en hauteur et sont parallèles.
7. Installer le Personal back - Se reporter au paragraphe Installation du Personal back/Personal back plus sur cette notice d'instruction.

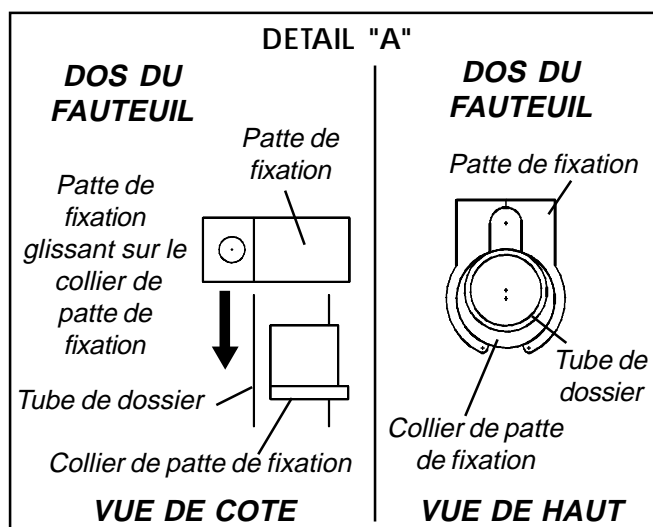
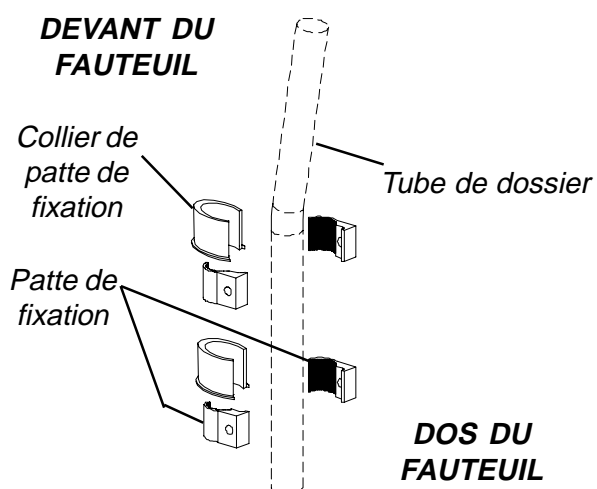


FIGURE 3 – INSTALLATION SUR FAUTEUILS ROULANTS AVEC DIAMÈTRE DE TUBE DE DOSSIER DE 22 MM

## Installation sur fauteuils roulants possédant des charnières fixes (FIGURE 4)

<b>Outils disponibles:</b> Tournevis pour vis Phillips Clé en croix 3/8"	
<b>Pièces à commander:</b>	<b>Quantité</b>
Plaque multi-position	2
Charnières fixes	2
Boulons courts à tête Phillips	4
Écrous de blocage nylon	4

1. Déterminer la hauteur du dossier – Se reporter au paragraphe Position de montage pour l'installation du Personal Back sur cette feuille d'instruction.
2. Rattacher les charnières fixes au tube de dossier en utilisant les trous et les pièces métalliques déjà existant.
3. S'assurer que le haut de la plaque de montage une fois installée sur les charnières fixes est plus haute de 1.2 cm que le repère déterminée à l'étape 8 Position de montage pour l'installation du dossier du Personal Back sur cette feuille d'instruction (Détail "A", FIGURE 4).
4. Insérer 2 vis courtes (de l'intérieur) dans les petits trous appropriés de la plaque de montage puis de la charnière fixe. Serrer les écrous de blocage.
5. Répéter l'opération de l'autre côté, en s'assurant que les deux côtés s'adaptent en hauteur et sont parallèles.
6. Installer le Personal Back - Se reporter au paragraphe Installation du Personal Back/Personal Back Plus sur cette notice d'instruction.



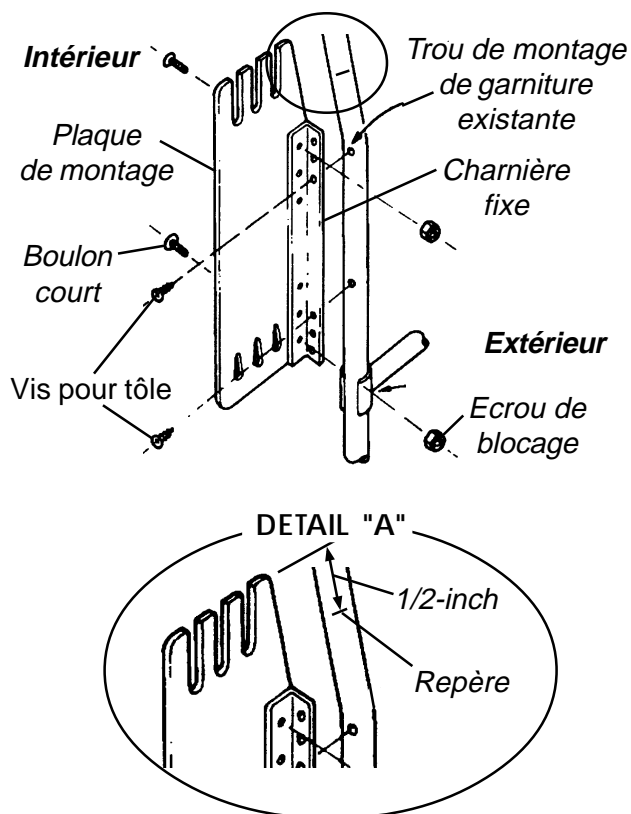


FIGURE 4 – INSTALLATION SUR FAUTEUILS ROULANTS POSSEDANT DES CHARNIERES FIXES

## UTILISATION DE PERSONAL BACK

PERSONAL BACK comprend une mousse de soutien lombaire déplaçable et des mousses latérales gauche et droite attachées au châssis arrière par des bandes auto-agrippantes destinées à augmenter les possibilités de positionnement. Pour avoir accès aux mousses lombaires et latérales, ouvrir la fermeture à glissière de la housse et pousser la mousse vers l'avant en l'écartant de l'arrière du châssis. Les mousses lombaires et latérales seront alors accessibles pour ajustement.

## INSTALLATION DE PERSONAL BACK/PERSONAL BACK PLUS (FIGURE 5)

### MISE EN GARDE

La position de PERSONAL BACK dans les trois rainures des différents supports de montage est directement liée à la stabilité du fauteuil. Lorsque PERSONAL BACK est ajouté à un fauteuil à dossier réglable en inclinaison ou à assise inclinable, il peut diminuer la stabilité du Fauteuil. Il peut être nécessaire d'ajuster à nouveau avant utilisation : ROULETTES AVANT, ROUES ARRIERES, ANGLE DU DOS-SIER, ESPACE DE BASCULEMENT, POSITION D'INCLINAISON et/ou PROFONDEUR DE SIEGE. Soyez EXTREMEMENT prudent lors de l'emploi d'une nouvelle position d'assise.

1. Installer le coussin du dossier du Personal Back sur la plaque de montage afin que le tourillon supérieur se positionne correctement dans le cran adéquate.
2. Tourner les broches de dégagement inférieures jusqu'à ce que les embouts allongés s'alignent avec les trous de montage.
3. Positionner les broches de dégagement inférieures dans une des trois séries de trous allongés du bas du support de montage.
4. Pour verrouiller, tourner les leviers vers la position inférieure.

### MISE EN GARDE

Veiller à ce que les lanières à bande auto-agrippantes maintiennent fermement les leviers. PERSONAL BACK peut se défaire si les leviers ne sont pas verrouillés vers le bas.

5. Empêcher les leviers de tourner en les retenant par les lanières à bande auto-agrippantes.
6. Pour retirer PERSONAL BACK, inverser les **ETAPES 1-6**

*REMARQUE: Marquer les positions supérieures et inférieures du support de montage PERSONAL BACK pour les besoins de la famille ou du personnel soignant.*

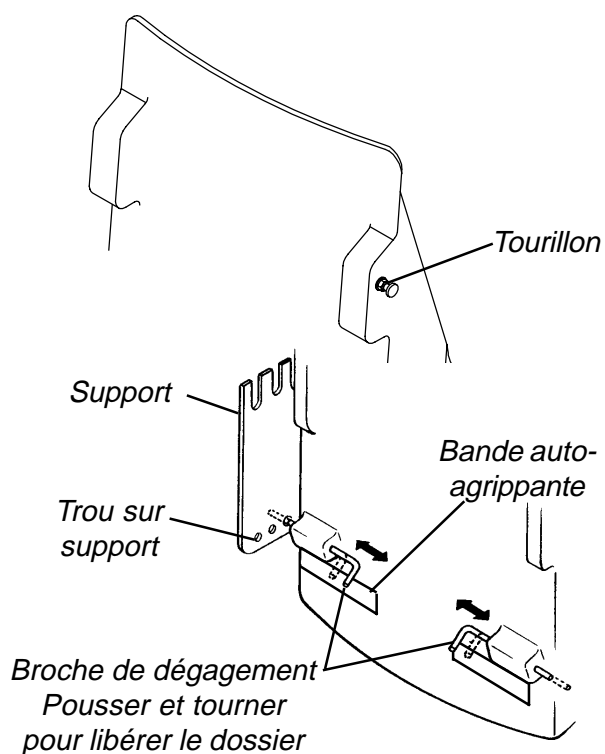


FIGURE 5 – INSTALLATION DE PERSONAL BACK/PERSONAL BACK PLUS

### Installation de l'appui-tête

L'appui-tête peut être installé sur le PERSONAL BACK. La plaque de renfort de l'appui-tête doit être utilisée et est disponible séparément.

## ENTRETIEN DE PERSONAL BACK

### MISE EN GARDE

Ne pas continuer à utiliser ce produit si des problèmes surgissent. Une réparation peut être réalisée ou organisée par votre fournisseur d'équipement.

### Instruction de nettoyage

#### ENSEMBLE DOSSIER.

Une fois par semaine, nettoyer avec un chiffon humide. Frotter toute la surface.

Une fois par semaine, inspecter visuellement toutes les pièces y compris les accessoires, les matériaux de garniture, les mousses (si accessibles) et les plastiques afin de détecter déformation, corrosion, casse, usure ou compression.

Une fois par semaine vérifier toutes les attaches afin de s'assurer que toutes les connexions mécaniques se maintiennent.

#### HOUSSE.

### ATTENTION

Nettoyage à froid à la machine. Cycle doux. Détergent doux. Pas d'adoucissant de tissu ou d'eau de javel. NE PAS sécher à la machine: séchage uniquement à l'air libre à l'abri du soleil.

#### MOUSSE.

Si la mousse du dossier est salie par suite d'incontinence, le dossier devra être remplacé parce que la mousse est absorbante et ne peut pas être nettoyée. La mousse ne peut pas être remplacée indépendamment car elle adhère en permanence au châssis arrière.

### MISE EN GARDE

La housse est conçue pour protéger la mousse contre l'incontinence; elle assure également une protection feu; par conséquent, le coussin ne peut pas être utilisé sans housse. Si la housse est endommagée, la remplacer.

## **GARANTIE LIMITEE**

La garantie n'est accordée qu'à l'acheteur proprement dit de nos produits; elle ne porte pas sur nos droits statutaires.

Invacare garantit la mousse du coussin pour tout défaut de fabrication pour une durée de deux (2) ans à partir de la date d'achat. La housse du coussin est garantie pendant une période de quatre vingt dix (90) jours à partir de la date d'achat. En ce qui concerne uniquement l'acheteur proprement dit/usager, Invacare garantit pour la durée de vie du produit les pièces métalliques de tout défaut de matière ou de fabrication, cela à l'exception de tous composants en bois, en mousse ou garnitures. Si pendant la période de garantie le produit est prouvé de manière raisonnable être défectueux par le "Représentant Invacare", il sera réparé ou remplacé à l'initiative du " Représentant Invacare"; l'unique obligation du "Représentant Invacare" est, dans le cadre de cette garantie, limitée à votre dédommagement par une telle réparation ou remplacement uniquement.

Pour le service sous garantie, veuillez contacter le "Service Consommateur du Représentant Invacare: Invacare Poirier SA" pendant les heures de travail normales. A la réception d'une information au sujet d'un prétendu défaut de produit le "Représentant Invacare" enverra une autorisation de retour détaillée. Le produit sera alors renvoyé au service spécifié par le "Représentant Invacare". Le (les) composant(s) défectueux doivent être renvoyés pour inspection sous garantie avec les numéros de fabrication à titre d'identification, cela dans les trente jours de la date d'autorisation de retour. Ne pas retourner des produits à notre usine sans une autorisation préalable.

**LIMITES ET EXCLUSIONS: LA GARANTIE CI-DESSUS NE COUVRE PAS L'USURE ET LES DÉGÂTS NORMAUX ET NE S'APPLIQUE PAS AUX PRODUITS AYANT FAIT L'OBJET DE NÉGLIGENCE, ACCIDENTS, MANIPULATIONS/ENTRETIEN/STOCKAGE DÉFECTUEUX, UTILISATION COMMERCIALE OU INSTITUTIONNELLE, PRODUITS MODIFIÉS SANS AUTORISATION EXPRESSE ÉCRITE D'INVACARE (Y COMPRIS, MAIS NON LIMITÉS, DES MODIFICATIONS PAR UTILISATION DE PIÈCES OU D'ACCESSOIRES NON AUTORISÉS), NI AUX PRODUITS ENDOMMAGÉS PAR SUITE DE RÉPARATIONS FAITES À UN COMPOSANT QUEL QU'IL SOIT, SANS LE CONSENTEMENT SPÉCIFIQUE DU "REPRÉSENTANT INVACARE".**



NOTA: compruebe que no se haya dañado ninguna pieza durante el transporte. De haber alguna pieza dañada, NO la utilice y póngase en contacto con su distribuidor para recibir más instrucciones.

**SUMARIO MEDIDAS SEGURIDAD**

Los avisos de ADVERTENCIA/PRECAUCIÓN hacen referencia a prácticas peligrosas o inseguras que podrían provocar heridas y daños personales o dañar el equipo.

**ADVERTENCIA**

No instale este equipo sin haber leído y entendido previamente las instrucciones. Si no entiende las advertencias, precauciones e instrucciones, póngase en contacto con su distribuidor antes de tratar de utilizar el equipo, de lo contrario podría causarse alguna herida o daño.

La instalación del Respaldo Personal Back en cualquiera de las tres posiciones de los soportes de montaje está directamente relacionada con la estabilidad. Cuando el Respaldo Personal Back se instala en una silla que bascula o reclina puede provocar que la silla sea menos estable. Por ello, antes de utilizarla, podría ser necesario cambiar la posición de LAS RUEDAS DELANTERAS, LAS RUEDAS TRASERAS, EL ÁNGULO DEL RESPALDO, LA BASCULACIÓN, LA POSICIÓN DE RECLINACIÓN Y LA PROFUNDIDAD DEL ASIENTO. Extreme la precaución cuando adopte una nueva posición de asiento.

Deberá consultar con su médico o terapeuta si tiene dudas acerca de sus limitaciones individuales y necesidades.

La mejor manera para asegurarse de que elige el Respaldo Personal Back que responde mejor a sus necesidades individuales es consultando a su terapeuta, médico y suministrador del equipo.

A medida que las necesidades del individuo se van haciendo más complejas, la evaluación del cojín se hace más importante.

**NOTA**

La información contenida en este manual puede ser modificada sin previo aviso.

**INTRODUCCIÓN**

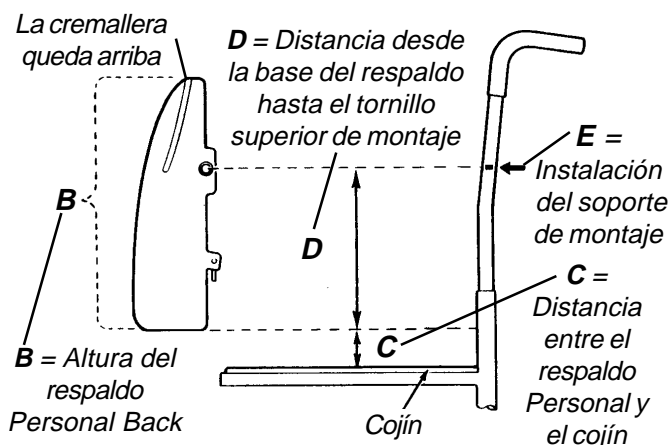
El Respaldo Personal está diseñado para ofrecer al usuario apoyo para adoptar la postura correcta y lograr el alineamiento de la columna vertebral. La funda está confeccionada con tejido impermeable para proteger la espuma.

**DETERMINACIÓN DE POSICIÓN DE MONTAJE PARA EL RESPALDO PERSONAL BACK (FIGURA 1)**

1. Retire el respaldo de su embalaje.
2. Retire la tornillería que fija el tapizado a los tubos del respaldo.
3. **Para obtener la altura necesaria del respaldo tras el examen del terapeuta (A), utilice la siguiente fórmula (FIGURA 1):**

<i>Altura total del respaldo prescrita por el terapeuta - (A)</i>	<i>(-) Altura del respaldo Personal Back (Area B)</i>	<i>(=) Distancia entre el respaldo y el cojín (Area C)</i>
<i>Distancia entre el respaldo y el cojín (Area C)</i>	<i>(+) Distancia desde la base del respaldo al tornillo superior de montaje (Area D)</i>	<i>(=) Colocación del soporte de montaje (Area E)</i>

4. Mida la **altura total del Respaldo Personal (zona B)**.
5. Reste la **altura total del Respaldo Personal (zona B)** de la **altura total prescrita por el terapeuta (A)**. Así obtiene la **distancia entre el respaldo personal y el cojín (zona C)**.
6. Mida la **distancia desde la base del respaldo hasta el tornillo superior de montaje (zona D)**.
7. Sume la **zona D (PUNTO 6)** y la **zona C (PUNTO 5)**. Esto determinará la cantidad de altura adicional que se necesita y la **colocación del soporte de montaje (zona E)**.
8. Mida la distancia desde el cojín al chasis/tubos de respaldo (**zona E, PUNTO 7**) y haga una marca (**ambos lados**) en la parte interior del chasis/tubos de respaldo.



**FIGURA 1 - DETERMINACIÓN DE POSICIÓN DE MONTAJE PARA EL RESPALDO PERSONAL BACK**

## INSTALACIÓN DE LA PLACA DE MONTAJE EN EL RESPALDO PERSONAL BACK/PERSONAL BACK PLUS

Este kit incluye las siguientes piezas:

DESCRIPCIÓN	CANTIDAD
Placas de montaje multi posición	2
Tornillos cortos	4
Tuercas Nylon	4
Tornillos largos	4
Tuercas	4
Soportes en L	2
Inserción abrazaderas	4
Media abrazadera para tubos de 25mm	4

*NOTA: No se necesitan todas las piezas para cada montaje. Lea atentamente las instrucciones.*

### ADVERTENCIA

**No intente montar abrazaderas para tubos de 25 mm en tubos de 19 mm.**

### Montaje en sillas con tubos de respaldo de 25 mm de diámetro (FIGURA 2)

**Debe disponer de las siguientes herramientas:**

llave Allen de 1/8"  
Llave inglesa de 3/8"

Piezas necesarias:	Cantidad
Placas de montaje multi posición	2
Media abrazadera para tubo 25 mm	4
Inserción abrazaderas	4
Tornillos largos	4
Tuercas nylon	4

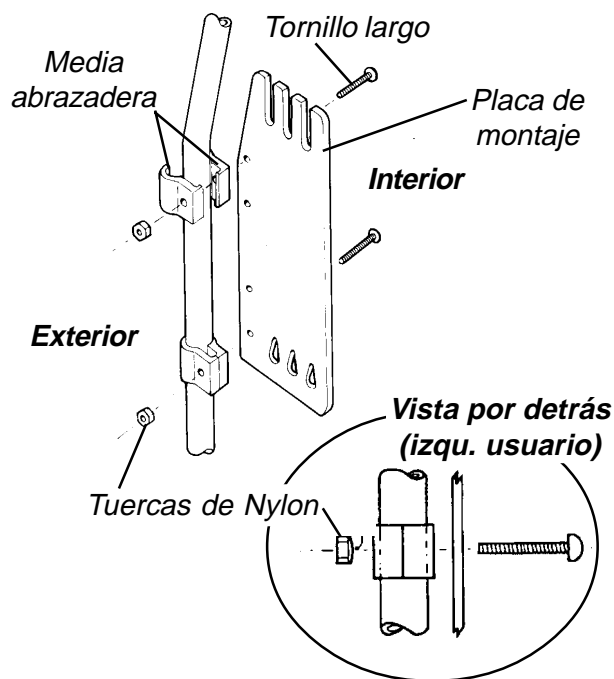
- Determine la altura del respaldo. Refiérase a DETERMINACIÓN DE LA POSICIÓN DE MONTAJE PARA EL RESPALDO PERSONAL BACK de este manual de instrucciones.
- Inserte dos (2) tornillos largos (desde el interior) a través de los pequeños orificios de la placa de montaje y después a través de las medias abrazaderas. Apriete los tornillos para asegurar la abrazadera.
- Realice uno (1) de los siguientes pasos:
  - Media abrazadera apretada-pase al siguiente punto.
  - Media abrazadera suelta-refierase a INSTALACIÓN EN SILLAS CON TUBOS DE RESPALDO DE 22MM

*NOTA: La abrazadera debe quedar fijada en el tubo.*

- Repita el mismo procedimiento para el lado contrario, comprobando que ambos lados están a la misma altura y quedan paralelos.
- Compruebe que los tornillos están apretados.

*NOTA: La abrazadera se ajusta fácilmente en altura aflojando el tornillo y deslizando hasta obtener la altura deseada.*

- Instale el respaldo Personal Back. Refiérase al MONTAJE DEL RESPALDO PERSONAL BACK/PERSONAL BACK PLUS de este manual de instrucciones.



**FIGURA 2 - INSTALACIÓN EN SILLA CON TUBOS DE RESPALDO DE 25MM**

### Instalación en sillas con tubos de respaldo de 22 mm de diámetro (FIGURA 3)

**NOTA:** Este procedimiento debe realizarse SOLAMENTE si las abrazaderas son demasiado grandes para los tubos de respaldo.

- Coloque dos (2) tornillos largos (desde el interior) a través de los pequeños orificios de la placa de montaje y después a través de las medias abrazaderas. Refiérase a la FIGURA 2.
- Coloque una (1) inserción en el tubo del respaldo con la abertura de la misma de caras a la parte trasera de la silla.
- Deslice la abrazadera hasta que la misma rodee la inserción tal como se muestra en la FIGURA 3, DETALLE "A".
- Apriete los tornillos para fijar la abrazadera.
- Siga uno (1) de los siguientes pasos:
  - Media abrazadera apretada - pase al siguiente punto.
  - Media abrazadera floja - refiérase al MONTAJE EN SILLAS QUE UTILIZAN SOPORTES EN L.
- Repita los PASOS 1 - 4 para el resto de las medias abrazaderas restantes, comprobando que ambos lados se encuentran a la misma altura y en posición paralela.
- Instalación del respaldo Personal Back. Refiérase a la INSTALACIÓN DEL RESPALDO PERSONAL BACK /PERSONAL BACK PLUS de esta hoja de instrucciones.

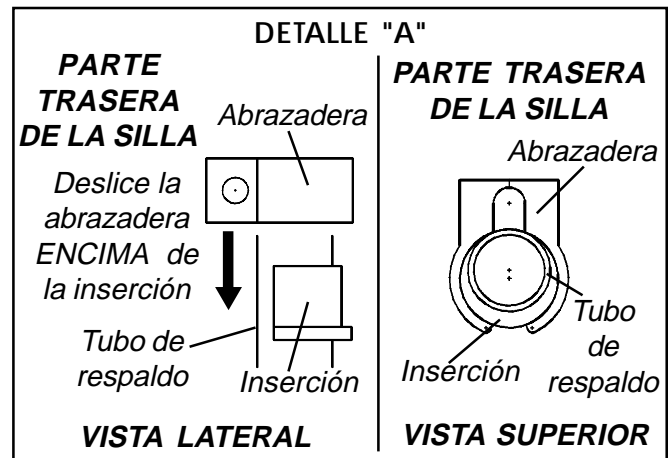
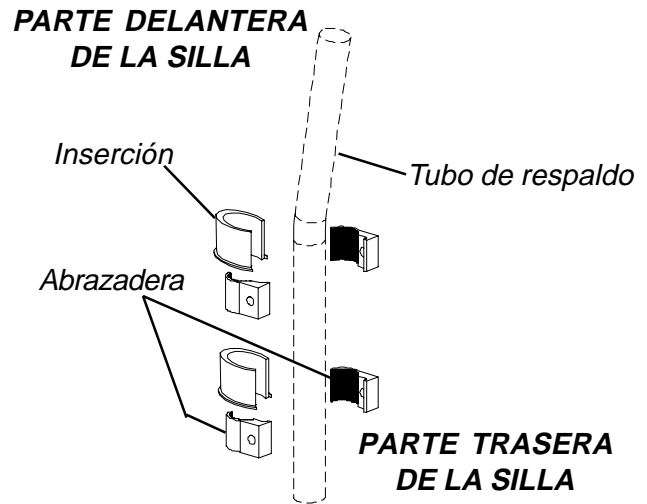


FIGURA 3 - INSTALACIÓN EN SILLAS CON TUBOS DE RESPALDO DE 22MM

### Instalación en sillas utilizando soportes en L (FIGURA 4)

<b>Debe disponer de las siguientes herramientas:</b> Destornillador Phillips Llave inglesa de 3/8"	
<b>Piezas necesarias:</b>	<b>Cantidad</b>
Placa multi posición	2
Soportes en L	2
Tornillos Phillips cortos	4
Tuercas	4

- Determine la altura del respaldo. Refiérase a la DETERMINACIÓN DE LA POSICIÓN DE MONTAJE PARA LA INSTALACIÓN DEL RESPALDO PERSONAL BACK de este manual de instrucciones.
- Fije los soportes en L a los tubos del respaldo utilizando los orificios existentes del tapizado y su tornillería.
- Compruebe que la parte superior de la placa de montaje al instalar los soportes en L está 1.2 cm por encima de la marca del PUNTO 8 de la DETERMINACIÓN DE LA POSICIÓN DE MONTAJE PARA LA INSTALACIÓN DEL RESPALDO PERSONAL BACK de este manual de instrucciones (DETALLE "A", FIGURA 4).
- Instale dos (2) tornillos cortos (desde el interior) a través de los pequeños orificios de la placa de montaje después a través del soporte en L. Apriete las tuercas para asegurar la placa de montaje al soporte en L.
- Repita el procedimiento para el otro lado, comprobando que ambos soportes se encuentran a la misma altura y en posición paralela.
- Instale el respaldo Personal Back. Refiérase a la INSTALACIÓN DEL RESPALDO PERSONAL BACK /PERSONAL BACK PLUS de este manual de instrucciones.

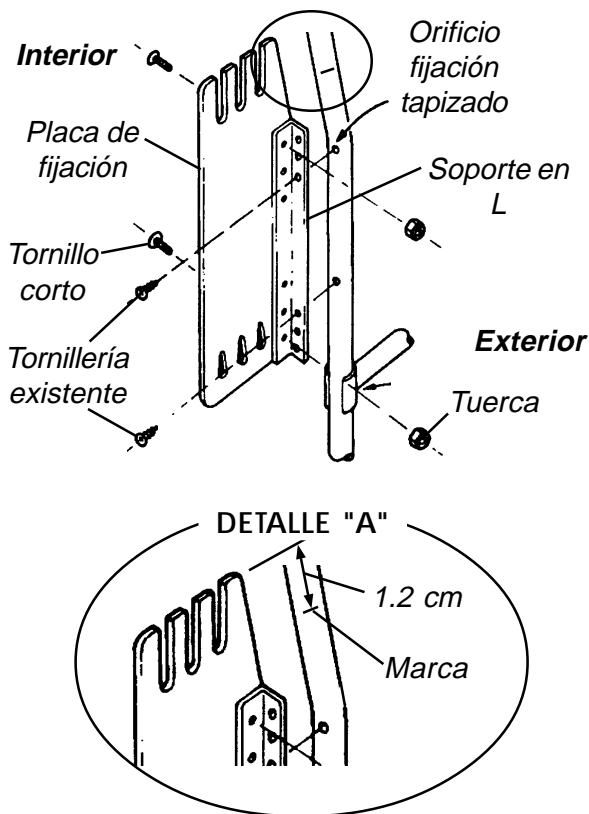


FIGURA 4 - INSTALACIÓN EN SILLAS UTILIZANDO SOPORTES EN L

## USO DEL RESPALDO PERSONAL BACK

El respaldo Personal Back incluye una espuma lumbar móvil y laterales de espuma que mejoran el posicionamiento. Para acceder a la zona lumbar y a los laterales, desabroche la funda y tire de la espuma hacia adelante, separándola de la parte trasera del revestimiento. Entonces podrá acceder a la zona lumbar y a los laterales para realizar los ajustes que desee.

## INSTALACIÓN DEL RESPALDO PERSONAL BACK/PERSONAL BACK PLUS (FIGURA 5)

### ADVERTENCIA

La colocación del respaldo Personal Back en cualquiera de las tres (3) posiciones de los soportes de montaje está directamente relacionada con la estabilidad. Cuando el respaldo Personal Back se monta en una silla que **BASCULA** y/o **RECLINA** podría disminuir la estabilidad de la silla. Podría ser necesario repositionar las **RUEDAS DELANTERAS**, **RUEDAS TRASERAS**, **ÁNGULO RESPALDO**, **BASCULACIÓN**, **RECLINACIÓN** y/o **PROFUNDIDAD DE ASIENTO**. **EXTREME** las precauciones cuando utilice una nueva posición de asiento.

1. Instale el respaldo Personal Back en la placa de montaje de manera que los pivotes entren en la posición adecuada.
2. Gire el pestillo inferior hasta que quede alineado con el orificio de fijación.
3. Haga entrar el pestillo en uno (1) de los tres (3) orificios de fijación de la placa.
4. Para bloquear el pestillo, gírelo hacia abajo.

### ADVERTENCIA

Compruebe que las cinchas tipo velcro que fijan el pestillo están correctamente colocadas. El respaldo podría moverse si los pestillos no están correctamente fijados.

5. Asegure que los pestillos no giran colocando las cinchas tipo velcro.
6. Para desmontar el respaldo Personal Back siga los **PASOS 1-5** a la inversa.

*NOTA: Marque la posición de montaje superior e inferior del Personal Back en el soporte de montaje para que sirva de referencia a las personas que deban asistir al usuario.*

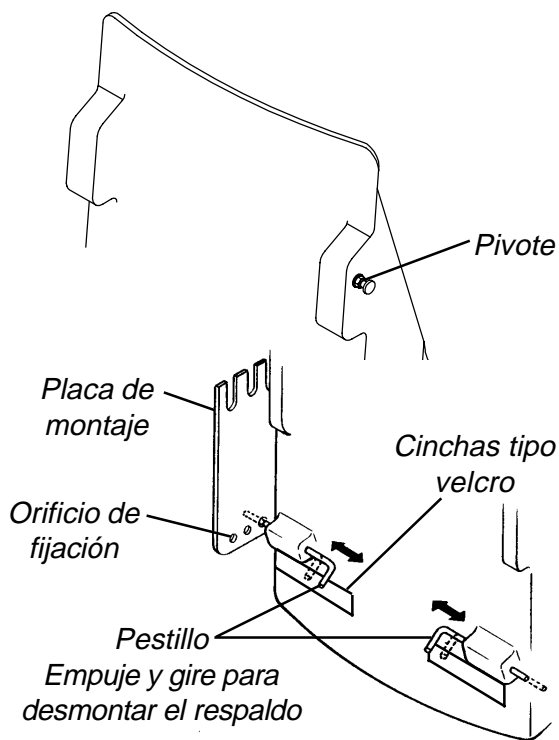


FIGURA 5 - INSTALACIÓN DEL RESPALDO PERSONAL BACK

### Instalación reposa cabeza

Se puede instalar un reposa cabeza en el respaldo Personal Back. Siempre DEBE utilizar una placa de refuerzo la cual está disponible como opción.

## MANTENIMIENTO DEL RESPALDO PERSONAL BACK

### ADVERTENCIA

NO continúe utilizando el producto si descubre cualquier problema. Puede optar por un mantenimiento correctivo o reparación a través de su distribuidor.

## Instrucciones de limpieza

### RESPALDO.

Limpiar semanalmente con un paño humedecido toda la superficie.

Cada semana se deberá realizar una inspección visual de todas las piezas, incluyendo tornillos y tuercas, soportes, tapizados, espumas (si es accesible) y plásticos para asegurarse de que no presentan corrosión, están rotos, desgastados o comprimidos.

Comprobar semanalmente TODAS las fijaciones para verificar que las sujeciones mecánicas son seguras.

### FUNDA.

#### ATENCIÓN

Lave la funda a máquina en agua fría en el ciclo de ropa delicada y usando un detergente suave. NO utilice suavizantes ni lejía. NO la seque a máquina. Séquela a temperatura ambiente sin exponerla al sol.

### ESPUMA.

Si debido a la incontinencia, la espuma del respaldo se estropea, deberá cambiar el respaldo, ya que es absorbente y no se puede limpiar. La espuma no se puede sustituir independientemente pues está adherida a la parte posterior del revestimiento.

#### ADVERTENCIA

La funda está pensada para proteger la espuma de la incontinencia y además actúa como ignífugo, por lo que el respaldo no debe usarse sin la funda. Si ésta se rompe deberá sustituirse.



---

## **CONDICIONES DE GARANTÍA**

Esta garantía sólo es aplicable al comprador original de nuestros productos y no afecta sus derechos de acuerdo con la ley.

Invacare garantiza el cojín de espuma contra defectos durante un periodo de dos (2) años a partir de la fecha de compra. La funda del cojín cuenta con una garantía de noventa (90) días a partir de la fecha de compra. Invacare garantiza, sólo para el comprador/usuario original, los tornillos, tuercas y demás piezas de ferretería contra defectos tanto en cuanto a los materiales como a la fabricación durante la vida útil del producto, exceptuando los componentes de madera, plástico y los tapizados. Si durante el periodo de vigencia de la presente garantía se comprueba que el producto es defectuoso, éste se reparará o sustituirá, quedando la facultad de elegir el método a utilizar en manos de Invacare; esta es la única obligación de Invacare y la prestación hacia el comprador queda limitada a tal reparación o sustitución.

Para los servicios de garantía, por favor, póngase en contacto con su distribuidor. Al recibir aviso de un posible defecto en un producto, el distribuidor le indicará el procedimiento a seguir.

**LIMITACIONES Y EXCLUSIONES: LA ANTERIOR GARANTÍA NO CUBRE EL DETERIORO NATURAL Y NO SERÁ DE APLICACION EN PRODUCTOS QUE HAYAN SUFRIDO NEGLIGENCIA, ACCIDENTES, USO, MANTENIMIENTO O ALMACENAMIENTO INDEBIDOS, USO COMERCIAL O INSTITUCIONAL, MODIFICACIÓN DE PRODUCTOS SIN EL CONSENTIMIENTO EXPRESO POR ESCRITO DE INVACARE (INCLUYENDO, PERO NO LIMITÁNDOSE A, MODIFICACIONES CON LA UTILIZACION DE PIEZAS O ACCESORIOS NO AUTORIZADOS) O A PRODUCTOS DAÑADOS DEBIDO A REPARACIONES REALIZADAS A CUALQUIERA DE SUS COMPONENTES SIN EL CONSENTIMIENTO ESPECÍFICO DE INVACARE.**

**Monterings-, bruks- och skötselanvisning**

Swedish

*OBS! Kontrollera att ingen skada skett under transporten. I de fall skador observerats använd INTE produkten. Kontakta din leverantör.*

**SÄKERHETSÅTGÄRDER**

Säkerhetsföreskrifterna är till för att undvika handhavandefel som kan leda till personskada eller skada på produkten

**VARNING**

Använd inte denna produkt utan att först ha läst och förstått dessa instruktioner. Om det är svårt att förstå dessa instruktioner kontakta din hjälpmedelscentral eller Invacares kundservice eller teknisk rådgivare innan produkten tas i bruk för att undvika att olyckor eller skador uppstår.

Ryggen kan monteras i flera olika positioner beroende på rullstolens stabilitet. Ju längre bak du placerar ryggstödet desto mer tippbenägen blir rullstolen. Därför kan det bli nödvändigt att utföra vissa justeringar på rullstolen efter montage av ryggstödet. Som att flytta rullstolens drivhjul längre bak samt montera på tipskydd. Var uppmärksam på detta vid ändrad sittställning.

Justera inte rullstolen på egen hand utan att du först konsulterat din kontaktperson/terapeut.

Samarbete mellan terapeut, användare och tekniker är det bästa sättet att försäkra sig om att valet av Personal Back motsvarar det individuella behovet.

Ju mer krävande användarens behov är, desto viktigare är det att välja rätt ryggstöd.

**OBSERVERA**

Informationen i detta dokument kan ändras utan varsel.

**INTRODUKTION**

Personal Back är utvecklad att ge en god sittposition. Överdraget är av vattenavvisande tyg för att skydda skumplasten från fukt.

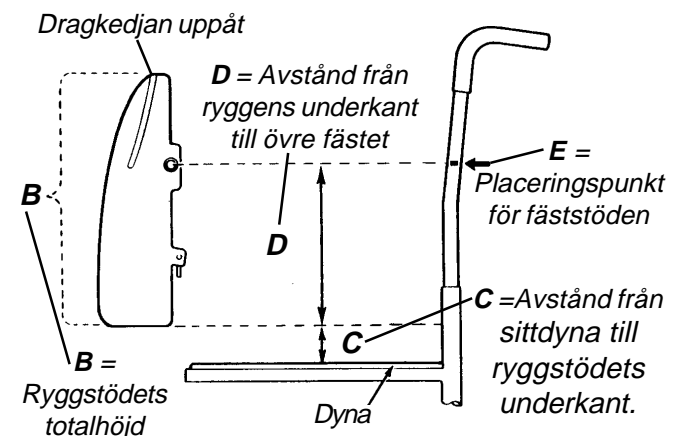
**HÖJDPLACERING AV RYGGSTÖDET (FIGUR 1)**

1. Ta bort befintlig ryggklädsel från ryggstödsrören på rullstolen.
2. Ta ut ryggen ur förpackningen.
3. **Justering av ryggens höjd, följ nedanstående schema (FIGUR 1).**

Önskad ryggstödshöjd (A) (-) Ryggstödet totalhöjd (område B) (=) Avstånd mellan överkant sittdyna och underkant ryggstöd (område C)

Avstån från överkant sittdyna och underkant ryggstöd (område C) (+) Avstånd från ryggstödet underkant och ryggstödet övre fäste (område D) (=) Övre fästets placeringspunkt (område E)

4. Mät ryggstödet totalhöjd (område B).
5. Subtrahera ryggstödet totalhöjd (område B) från önskad ryggstödshöjd totalt (A). Summan du får är avståndet mellan ryggstödet underkant och sittdynans överkant (område C).
6. Mät avståndet från ryggstödet nedre kant och ryggstödet övre fäste (område D).
7. Addera område D (steg 6) + område C (steg 5). Summan du får talar om på vilken höjd du ska montera övre fästet på ryggstödsröret (område E).
8. Mät från dynans överkant när du markerar på ryggstödsröret var det övre fästet skall monteras (område E, steg 7) och märk på båda sidorna på ryggstödsrören.



FIGUR 1 - HÖJDPLACERING AV RYGGSTÖDET

## MONTERING AV RYGG

Monteringssatsen innehåller följande:

BESKRIVNING	ANTAL
Positionsplattor	2
Korta bultar	4
Låsmuttrar	4
Långa bultar	4
Standardmuttrar	4
Vinkelfäste	2
Inlägg till klammer	4
Klamrar till 25 mm rör	4

*OBS! Alla medskickade delar behövs inte för varje montering eftersom det finns flera monteringsalternativ. Läs bruksanvisningen noga.*

### VARNING

Montera inte 25 mm klamrar på till exempel 19 mm rör.

### Montering av ryggstöd på ryggstödsrör med 25 mm diameter (FIGUR 2)

Verktyg	
1/8 - tum insexnyckel	
3/8- tum fast eller ringnyckel	
Delar	Antal
Positionsplatta	2
Klamrar 25 mm	4
Klammerinlägg	4
Långa bultar	4
Låsmuttrar	4

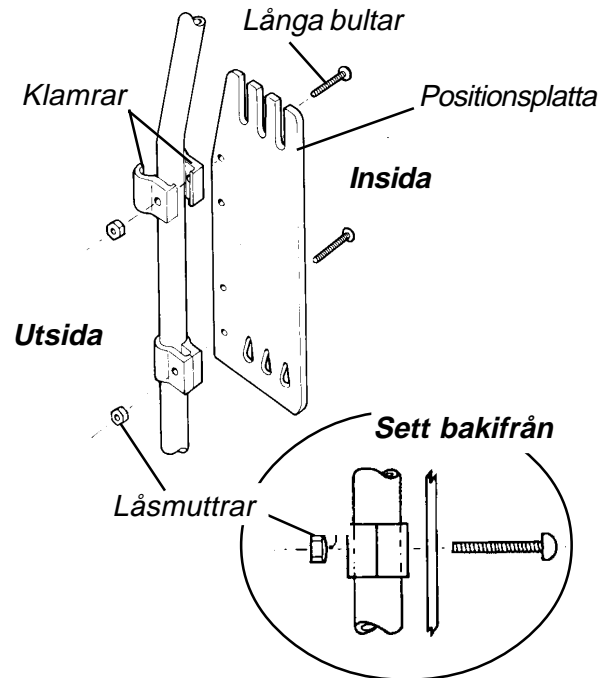
- BESTÄM RYGGSTÖDSHÖJDEN.
- Placera de två långa bultarna genom positionsplattorna, sedan genom klamrarna. Fäst muttrarna.
- Välj ett av följande moment:
  - Klamrarna sitter hårt – gå vidare till nästa steg.
  - Klamrarna sitter löst, se MONTERING PÅ RULLSTOLAR MED RYGGSTÖDSRÖR 22 mm DIAMETER.

*OBS! Klamrarna ska sitta tätt emot ryggstödsröret*

- Montera på samma sätt på den andra sidan och säkerställ att båda sidor är i jämnhöjd och parallella sinsemellan.
- Kontrollera att alla muttrar är fastskruvade.

*OBS! Klamrarna på ryggstödsröret är lätta att justera genom att lossa bulten och sedan låta klamrarna glida upp eller ned tills en lämplig höjd erhållits.*

- Montering Personal Back. Se MONTERING PERSONAL BACK/PERSONAL BACK PLUS.



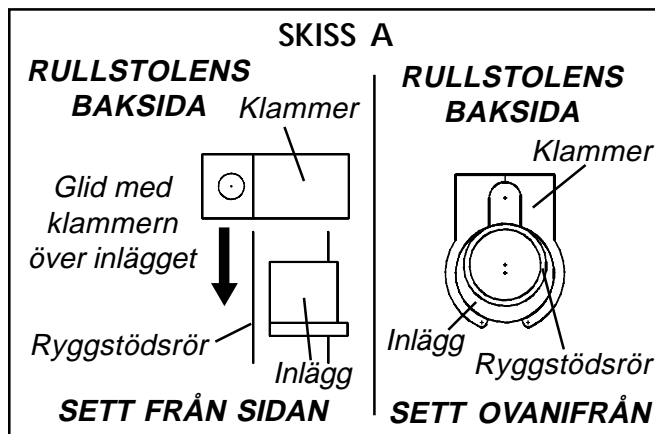
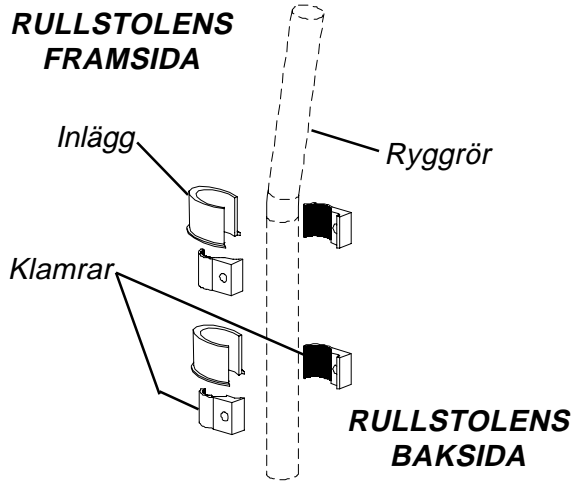
FIGUR 2 - MONTERING AV RYGGSTÖDET PÅ RYGGSTÖDSRÖR MED 25 MM DIAMETER

### Montering av ryggstöd på ryggstödsrör med 22 mm diameter (FIGUR 3)

*OBS! Denna procedur ska endast utföras ifall klamrarna är för stora för ryggstödsrörens diameter.*

- Placera de 2 långa bultarna genom de små hålen på positionsplattan, sedan genom klamrarna. Se FIGUR 2.
- Lägg 1 fastskruvat på ryggstödsröret med skruvöppningen riktad mot rullstolens baksida.
- Glid med klamrarna över öppningen tills klamrarna omsluter öppningen som visas i FIGUR 3 SKISS A.
- Dra åt muttrarna ordentligt.
- Välj ett av följande moment:
  - Klamrarna sitter hårt – gå vidare till nästa steg.
  - Klamrarna sitter löst. Se MONTERING PÅ RULLSTOLAR MED L-FORMAT VINKELFÄSTE.
- Upprepa steg 1-4 på samma sätt för resterande klamrar och säkerställ att båda sidorna är i jämnhöjd och parallella sinsemellan.

7. Montera Personal Back. Se MONTERING PERSONAL BACK/ PERSONAL BACK PLUS.



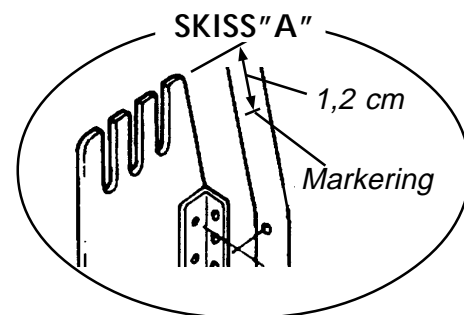
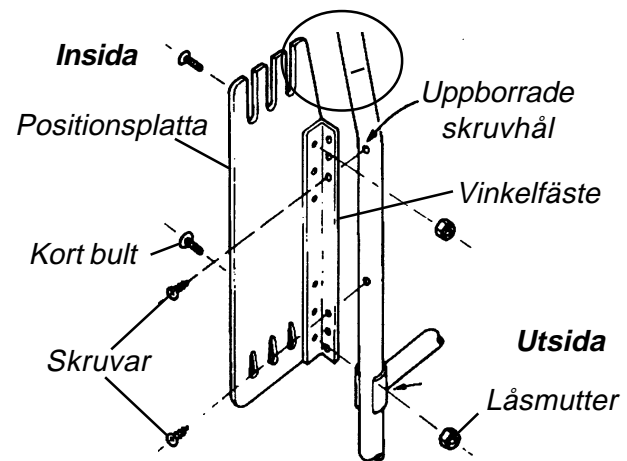
FIGUR 3 – MONTERING PÅ RULLSTOLAR MED RYGGSTÖDSRÖR 22 MM DIAMETER

### Montering på rullstolar med L-format vinkelfäste (FIGUR 4)

Verktyg	
Skruvmejsel	
3/8 tum fast eller ringnyckel	
Delar	Antal
Positionsplatta	2
L-format vinkelfäste	2
Korta bultar	4
Låsmuttrar	4

1. Bestäm ryggstödshöjden. Se HÖJDPLACERING AV RYGGSTÖDET.
2. Skruva fast vinkelfästet på ryggstödsrören i de borrarade hålen.

3. Kontrollera att ovansidan på positionsplattan vid montering mot det L-formade vinkelfästet är 1,2 cm högre än inställningsmarkeringen. Se steg 8 HÖJDPLACERING AV RYGGSTÖDET (SKISS "A" FIGUR 4).
4. Placera de 2 korta bultarna genom de små hålen på positionsplattan. Sedan genom det L-formade vinkelfästet. Dra åt muttrarna.
5. Montera på samma sätt på den andra sidan och säkerställ att båda sidorna är i jämnhöjd och parallella sinsemellan.
6. Montering Personal Back. Se MONTERING PERSONAL BACK/ PERSONAL BACK PLUS.



FIGUR 4- MONTERING PÅ RULLSTOLAR MED L-FORMAT VINKELFÄSTE

## ANVÄNDNING AV PERSONAL BACK

### BACK

Personal Back inkluderar ett flyttbart svankstöd och lattor, höger och vänster, som är fästa med kardborrband för att man enkelt skall kunna anpassa ryggstödet efter brukarens behov. För att nå dessa stöd, öppna dragkedjan i överdraget och tryck skumplasten framåt. Stöden kan då ändras enligt användarens behov.

## MONTERING PERSONAL BACK PERSONAL BACK PLUS (FIGUR 5)

### VARNING

Placeringen av Personal Back i de 3 olika hålen i positionsplattan har direkt inverkan på stolens stabilitet. Om ryggen placeras på en vinklad eller lutad stol kan det leda till sämre stabilitet. Det kan vara nödvändigt att ändra länkhjul eller drivhjul, ryggvinkel, lutning och/eller sittedjup innan stolen används. Var EXTRA försiktig när en ny sittställning tas i bruk.

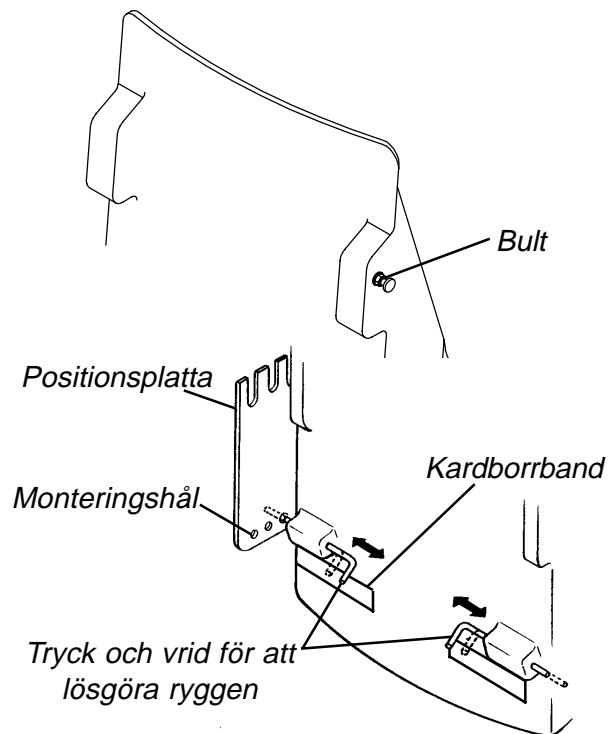
1. Sätt först fast ryggstödet i det övre fästet på positionsplattan.
2. Vrid på de nedre vinklade låssprintarna tills de kommer i läge som är lika med formen på nedre hålen i positionsplattan.
3. Skjut in låssprintrarna i ett av de 3 hålen i positionsplattan.
4. För att låsa, rotera låssprintarna nedåt.

### VARNING

Se till att kardborrbanden som håller de lösa delarna på plats är korrekt sammansatta och sitter fast

5. Säkra sprintfästena med hjälp av kardborrbanden på ryggstödet baksida.
6. För att ta bort ryggen, gör moment 1-5 i motsatt ordning.

*OBS! Notera ryggstödet läge i positionsplattan för att enkelt kunna återmontera ryggstödet om det av någon anledning behövs tas bort.*



FIGUR 5 – MONTERING PERSONAL BACK  
PERSONAL BACK PLUS

### Montering av huvudstöd

Huvudstöd kan monteras på Personal Back. En huvudstödsplatta **MÅSTE** användas och kan beställas separat.

## SKÖTSELRÅD

### VARNING

Fortsätt inte använda denna produkt om problem uppstår.

### Rengöring

#### RYGGSTÖDET.

Rengör hela ytan med en fuktig trasa en gång per vecka.

Inspektera alla metalldelar, fästena, stoppningen, skumplasten och plastdelarna en gång per vecka för att kontrollera att inget är trasigt.

Kontrollera alla delar en gång per vecka för att se att den mekaniska monteringen är riktig.

---

## ÖVERDRAG.

### VARNING

Tvättas i maskin 30° fintvätt. Kort centrifugering. Använd mild tvättmedel. EJ sköljmedel eller blekmedel. Droptorkas.

### VARNING

Överdraget är utvecklat för att skydda skumplasten mot inkontinens och är flamsäkert. Dynan bör inte användas utan överdrag. Om överdraget är slitet bör det bytas ut.

## SKUMPLAST.

Om skumplasten blir smutsig pga inkontinens bör stoppningen bytas ut, eftersom plasten är absorberande och inte kan tvättas. Skumplasten kan inte bytas separat, den sitter fast i ryggstödet.

---

## GARANTI

Denna garanti gäller den ursprungliga kunden och inverkar inte på lagstadgade rättigheter.

Invacare garanterar att skumplastdynan är felfri för en period av 2 år från inköpsdatum. Dynans överdrag har en garanti på 90 dagar från inköpsdatum. Till den ursprungliga köparen/användaren garanterar Invacare att komponenterna tillverkade av metall är felfria vad beträffar material och tillverkning för produktens hela livslängd, med undantag av trä, skumplast eller uppstoppade komponenter. Om produkten inom garantiperioden visar sig vara felaktig (efter kontroll av Invacares servicerepresentant) skall den repareras eller bytas ut (valet görs av Invacares servicerepresentant).

För garantiservice vänligen kontakta Invacares servicerepresentant under arbetstid. När Invacares servicerepresentant får uppgift om en felaktig produkt kommer han/hon att be er returnera produkten. Trasiga komponenter skall returneras för garantiinspektion med serienumret som identifikation inom 30 dagar efter returgodkännande. Returnera inte produkter till fabriken utan tidigare godkännande.

**BEGRENSNINGAR OCH UNDANTAG: OVANNÄMDA GARANTI GÄLLER INTE ONORMALT SLITAGE OCH NÖTNING OCH INTE HELLER PRODUKTER SOM BLIVIT UTSATTA FÖR OLYCKOR, DÅLIG SKÖTSEL, VÅRD ELLER FÖRVARING, KOMMERCIELL ELLER INSTITUTIONELL ANVÄNDNING. PRODUKTER SOM ÄNDRATS UTAN INVACARES SKRIFTLIGA GODKÄNNANDE (INKLUDERANDE MEN INTE BEGRÄNSANDE MODIFIKATION GENOM ATT ANVÄNDA ICKE GODKÄNDA DELAR) ELLER PRODUKTER SKADADE GENOM REPARATION PÅ NÅGON DEL UTAN SÄRSKILT GODKÄNNANDE AV INVACARES SERVICEREPRESENTANT.**

**BEMÆRK:** Check alle dele for forsendelsesbeskadigelser før brug. I tilfælde af beskadigelse, BRUG IKKE udstyret. Kontakt Udstyrsleverandøren for yderligere instruktioner.

### SIKKERHEDS RESUMÉ

**ADVARSELS/FORSIGTIGHEDS** underretninger gælder for farlige eller usikre praksis, som kan resultere i mindre personlige skader og/eller ejendels beskadigelser.

#### ADVARSEL

**PÅSÆT IKKE** dette udstyr uden først at læse og forstå dette instruktions ark. Hvis De er ude af stand til at forstå disse instruktioner, kontakt en professionel indenfor sundhedssektoren, forhandler eller teknisk personale, hvis passende, før forsøg på at påsætte dette udstyr – ellers kan skader eller beskadigelser opstå.

Placeringen af Det Personlige Ryglæn i de tre (3) forskellige monterings afstands plader er direkte relateret til stolens stabilitet. Når Den Personlige Ryglæn er påsat en TILT og/ TILBAGELÆNINGStol, kan det forårsage en formindskelse af stolens stabilitet. Det kan være nødvendigt at ændre DE FORRESTE STYREHJUL, BAGHJULENE, RYGLÆNSVINKELN, HÆLDNING, TILBAGELÆNINGSPosition og/ eller SÆDEDYBDE før brug. Benyt EKSTREM forsigtighed, når De benytter en ny sædeposition.

Deres terapeut og læge skal konsulteres, hvis De har nogen spørgsmål angående individuelle begrænsninger og behov.

At arbejde med Deres terapeut, læge og udstyrsleverandør er den bedste måde at sikre, at et Personligt Ryglæns valg passer til Deres individuelle behov.

Som brugerens behov bliver mere komplekse, bliver Den Personlige Ryglæns evaluering mere vigtig.

#### MEDDELELSE

Information indeholdt i dette dokument kan forandres uden varsel.

### INTRODUKTION

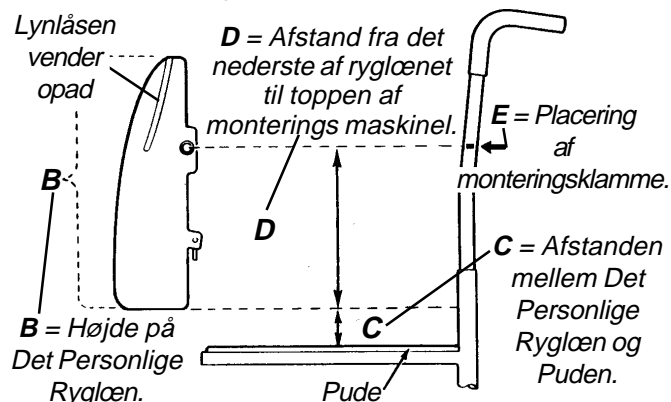
Det Personlige Ryglæn er designet til at give brugeren holdningsstøtte og rygradstilpasning. Betrækket er lavet af et vandmodstandsdygtigt stof for at beskytte skumgummiet.

### BESTEMMELSE AF MONTERINGSPOSITION FOR INSTALLERING AF PERSONLIG RYG (FIGUR 1)

1. Fjern ryglænet fra emballagen.
2. Fjern betræk fra ryglænsrørene.
3. For at opnå den ryglæns højde, som kræves efter fysisk vurdering af terapeuten (A), benyt den følgende formular (FIGUR 1):

Fuldstændige Ryglæns Højde Krævet af (Terapeut-A)	(-)	Højde på Personlig (Område B)	(=)	Afstanden Ryglæn mellem Personlig Ryglæne (Område C)
Afstanden mellem Personlige Ryglæne og Pude (Område C)	(+)	Afstanden fra bunden af Ryglænet til Topmonterings Maskinel (Område D)	(=)	Placering af Monterings Klamme (Område E)

4. Mål Den Fuldstændige Højde på Det Personlige Ryglæn (Område B).
5. Træk Den Fuldstændige Højde fra Det Personlige Ryglæn (Område B) fra Den Fuldstændige Højde Krævet af Terapeuten (A). Dette giver Dem afstanden mellem bunden af den personlige ryg og pude (område C).
6. Mål Afstanden fra det nederste af Ryglænet til Topmonterings Maskinel (Område D).
7. Tilføj Område D og Område C sammen. Dette vil bestemme, hvor meget yderligere højde, der er behov for og Placering af Monteringsklamme (Område E).
8. Mål afstanden fra puden til stolstellet/ryglæns rør (Område E, trin 7) og mærk (begge sider) på indersiden af stolstellet/ryglænsrør.



FIGUR 1 - BESTEMMELSE AF MONTERINGSPOSITION FOR INSTALLERING AF PERSONLIG RYG

## PERSONLIG RYG / PERSONLIG RYG PLUS MONTERING AF HARDWARE INSTALLATION

Dette monterings sæt indeholder følgende:

BESKRIVELSE	ANTAL
Multi-positions monteringsplader	2
Korte bolte – Philips hoved	4
Nylon sikringsmøtrikker	4
Lange bolte	4
Almindelige møtrikker	4
L-knægte	2
Klemindsats	4
Halvklamper til 1-tommers (25 mm) rør	4

**BEMÆRK:** Ikke alle dele er nødvendige til hver installation. Læs instruktionen grundigt.

### ADVARSEL

Forsøg IKKE at ændre 1-tomme (25 mm) klamperne til at passe til rør på  $\frac{3}{4}$  tomme (19 mm) diameter.

### Installering på kørestole med bagrør med en diameter på 1 tomme (25 mm) (FIGUR 2)

#### Følgende værktøj skal bruges:

- 1/8 tomme unbraconøgle
- 3/8 tomme fast eller topnøgle

#### Nødvendige dele:

	Antal
Multipositions monteringsplader	2
1-tomme (25 mm) halvklamper	4
Klemindsats	4
Lange bolte	4
Nylon sikringsmøtrikker	4

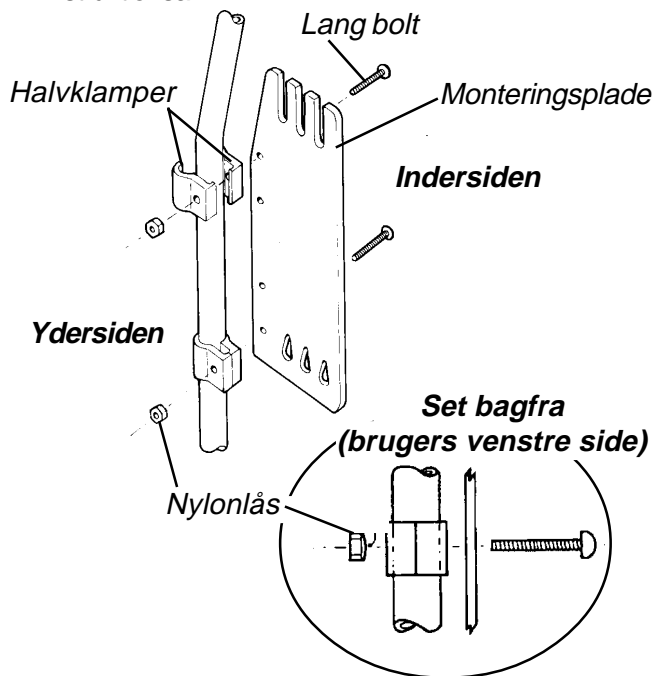
- Bestem ryghøjde. Se BESTEMMELSE AF MONTERINGSPOSITION FOR INSTALLERING AF PERSONLIG RYG i dette instruktionsark.
- Indsæt to (2) lange bolte (fra indersiden) igennem de små huller på monteringspladen, så igennem halvklammerne. Spænd møtrikkerne fast til for at sikre klampen.
- Udfør et (1) af følgende:
  - Halvklamper tætte – gå videre til næste trin.
  - Halvklamper løse – se INSTALLERING PÅ KØRESTOLE AF BAGRØR MED EN DIAMETER PÅ  $\frac{7}{8}$  TOMMER (22 MM).

**BEMÆRK:** Klampen skal bevære sig ind i røret.

- Gentag proceduren fra den anden side, værende sikker på at begge sider passer i højden, og er parallelle.
- Tjek alle møtrikker, om de er fastgjorte.

**BEMÆRK:** Klampe på monteringspladerne justeres let ved at løsøre bolten og ved at glide akselbærerne op eller ned på ryglænsrøret for at opnå den rigtige højdejustering.

- Installering af personlig ryg. Se PERSONLIG RYG / PERSONLIG RYG PLUS INSTALLERING i dette instruktionsark.



FIGUR 2 - INSTALLERING PÅ KØRESTOLE AF BAGRØR MED EN DIAMETER PÅ 1 TOMME (25 MM)

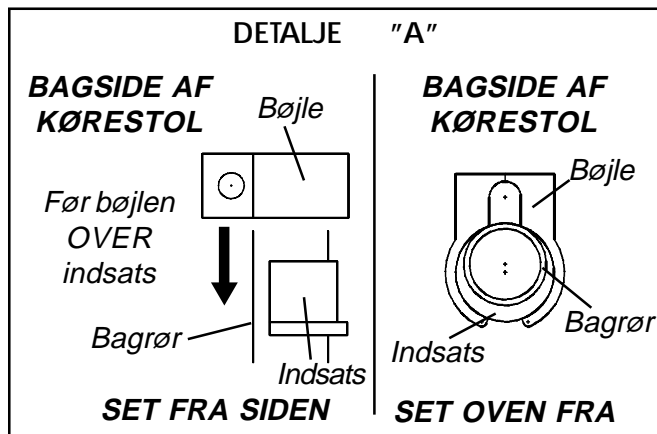
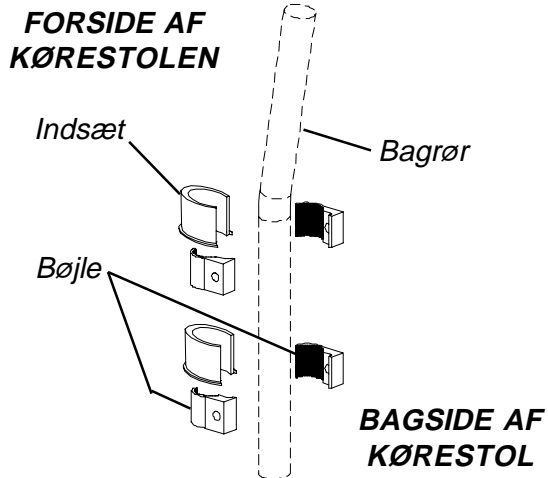
### Installering på kørestole med bagrør med en diameter på $\frac{7}{8}$ tomme (22 mm) (FIGUR 3)

**OBS:** Denne fremgangsmåde skal KUN følges, hvis rørklammerne er for store til bagrørene.

- Indsæt to (2) lange bolte (fra indersiden) gennem de små huller i monteringspladen, så gennem halvklammerne. Se FIGUR 2.
- Position ét (1) indsat i bagrøret med indsættelsesåbningen mod kørestolens ryg.
- Før rørklampen over indsatsen indtil rørklamp-halvdelen når rundt om indsatsen som vist i FIGUR 3, DETALJE "A".
- Skrue møtrikkerne fast for sikre klampen.
- Udfør et (1) af følgende:
  - Halvklamper tætte – gå videre til næste trin.
  - Halvklamper løse – se INSTALLERING PÅ KØRESTOLE VED BRUG AF L-FORMEDE.



- Gentag trin 1-4 for resterende halvklamper, idet De sikrer Dem at begge sider er tilpasset for højde, og er parallelle med hinanden.
- Installer personlig ryg. Se PERSONLIG RYG / PERSONLIG RYG PLUS INSTALLERING i dette instruktionsark.



FIGUR 3 - INSTALLERING PÅ KØRESTOLE AF BAGRØR MED EN DIAMETER PÅ 7/8 TOMME (22 MM)

### Installering på kørestole ved brug af L-formede knægte (FIGUR 4)

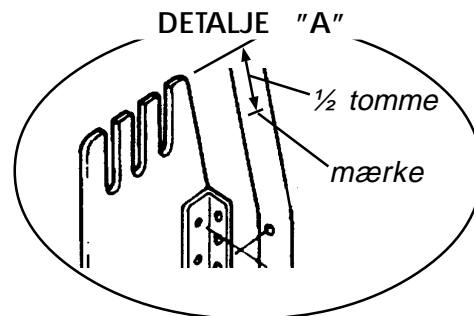
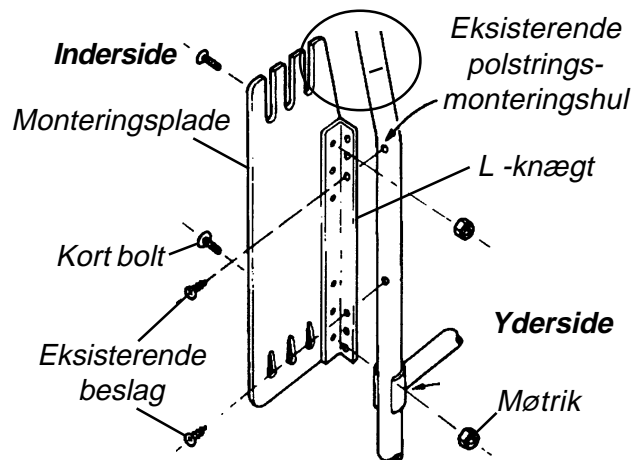
**Følgende værktøj skal bruges:**

Phillips hoved skruetrækker  
3/8 tomme fast eller topnøgle

Nødvendige dele:	Antal
Multipositionsplade	2
L-knægte	2
Korte Phillips hovedbolte	4
Sikringsmøtrikker	4

- Bestem baghøjden. Se BESTEMMELSE AF MONTERINGSPOSITION FOR INSTALLERING AF PERSONLIG RYG i dette instruktionsark.

- Fastgør L-formede knægte til bagrørene ved at bruge eksisterende polster-huller og eksisterende beslag.
- Sørg for at toppen af monteringspladen, når den er installeret på den L-formede knægt, er 1/2 tomme (1,2 cm) højere end mærket bestemt i trin 8 af BESTEMMELSE AF MONTERINGSPOSITION FOR INSTALLERING AF PERSONLIG RYG i dette instruktionsark (DETALJE "A", FIGUR 4)
- Installer to (2) korte bolte fra indersiden gennem de små huller på monteringspladen, så igennem L-formede knægte. Skru møtrikkerne fast til for at fæstne monteringspladen til den L-formede knægt.
- Gentag proceduren for den anden side, idet De sørger for at begge sider er tilpasset for højde og er parallelle med hinanden.
- Installer personlig ryg. Se PERSONLIG RYG / PERSONLIG RYG PLUS INSTALLERING i dette instruktionsark.



FIGUR 4 - INSTALLERING PÅ KØRESTOLE VED BRUG AF L-FORMEDE KNÆGTE

## BRUGEN AF DET PERSONLIGE RYGLÆN

Det Personlige Ryglæn inkluderer en bevægelig skumgummi lumbal og venstre og højre skumgummi sideakser fastgjort til ryglænsdækket med hægte og løkkefastgørere til at give yderligere placeringsevne. For at få adgang til lumbal og sideakserne, lyn betrækket op og skub skumgummiet fremad, væk fra dækningsryglænet. Lumbal og sideakserne vil derefter være tilgængelige for foretagelsen af justeringer.

## PERSONLIG RYG/PERSONLIG RYG PLUS INSTALLERING (FIGUR 5)

### ADVARSEL

Placeringen af Det Personlige Ryglæn i de tre (3) forskellige monterings afstands plader er direkte relateret til stolens stabilitet. Når Den Personlige Ryglæn er påsat en TILT og/ TILBAGELÆNINGStol, kan det forårsage en formindskelse af stolens stabilitet. Det kan være nødvendigt at ændre DE FORRESTE STYREHJUL, BAGHJULENE, RYGLÆNSVINKELN, HÆLDNING, TILBAGELÆNINGSPosition og/ eller SÆDEDYBDE før brug. Benyt EKSTREM forsigtighed, når De benytter en ny sædeposition.

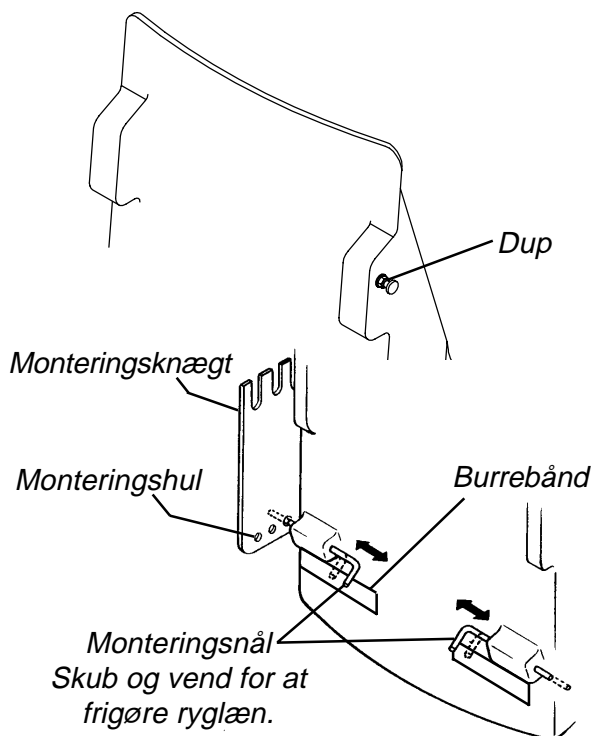
1. Installer den personlige ryg på monteringspladen således at de øverste dupper passer ind i de tilhørende slidser.
2. Drej bundmonteringsnålen indtil afrivningsfaldet rettes ind til monteringshullet.
3. Installer bundmonteringsnålen i en (1) af de tre (3) sæt afrivningshuller i bunden af monteringsknægten.
4. For at låse, roter løftestængerne til nedadgående position.

### ADVARSEL

Vær sikker på, holder løftestængerne sikkert fastgjorte. Det Personlige Ryglæn kan blive løst, hvis løftestængerne ikke er låst nede.

5. Sørg for at fæstne monteringsnålen med burrebånd på betrækket bagpå så den ikke roterer.
6. For fjernelse af Det Personlige Ryglæn, gå baglæns fra TRIN 1-5.

*BEMÆRK: Marker de øvre og nedre monteringspositioner på Det Personlige Ryglæns monterings holdere for reference for familie eller sygeplejere.*



FIGUR 5 – PERSONLIG RYG/PERSONLIG RYG PLUS INSTALLATION

### Hovedhviler Installation

Hovedhvilerne kan påsættes Det Personlige Ryglæn. Forsterkningspladen SKAL benyttes og er tilgængelig separat.

## PERSONLIG RYGLÆNS VEDLIGEHOLDELSE

### ADVARSEL

FORTSÆT IKKE med at benytte dette produkt, hvis problemer opdages. Korrekt vedligeholdelse kan udføres hos eller arrangeres gennem Deres udstyrsleverandør.

### Rensnings Instruktions

#### RYGLÆNS SAMLING.

Rens hver uge med fugtig klud. Tør hele overfladen.

Ugelig visuel inspektion af delen inkluderende det maskinelle, akselbærere, polstrings materiale, skumgummi (hvis tilgængelig), og plastik, for deformation, korrosion, beskadigelse, slid eller tryk.

Check ALLE fastgørere hver uge for at sikre at de mekaniske forbindelser er sikre.

---

**BETRÆK.****ADVARSEL**

Maskinvaskes koldt. Mildt vaskeprogram. Mildt vaskemiddel. INGEN blødgøringsmiddel eller blegemiddel. INGEN maskintørring. KUN lufttørring i skyggen.

**ADVARSEL**

Betrækket er designet til at beskytte skumgummiet mod en brugers inkontinens og at give brandforhaling, derfor må puden ikke benyttes uden dens betræk. Hvis betrækket er itu, skal det udskiftes.

**SKUMGUMMI.**

Hvis ryglæns skumgummiet bliver snavset grundet inkontinens, skal ryglænet udskiftes, da skumgummiet er absorberende og ikke kan renses. Skumgummiet kan ikke udskiftes uafhængigt, fordi det er permanent klæbet itil ryglænet.

---

**BEGRÆNSET GARANTI**

Denne garanti ydes kun til den oprindelige køber af vore produkter og påvirker ikke lovmæssige rettigheder.

Invacare giver en garanti for fejl på skumpuden i en to (2) års periode fra købsdatoen. Der gives garanti på pudebetrækket for en periode på 3 måneder fra købsdatoen. Garantien dækker fejl ved materialer og fremstilling med undtagelse af træ, skumgummiplastik eller plstrede komponenter. Hvis det kan godtgøres hos Invacare, at der med god grund er tale om en defekt, skal produktet repareres eller erstattes hos Invacare. Invacare's forpligtelser under denne garanti forudsætter, at reparation eller erstatning udføres som nævnt her.

Med henblik på garantiservice, bedes De kontakte Invacare's kundeservice inden returnering af puden.

**BEGRÆNSNINGER OG UNDTAGELSER: DEN AKTUELLE GARANTI DÆKKER IKKE NORMAL SLITAGE OG KOMMER HELLER IKKE TIL ANVENDELSE, HVIS PRODUKTERNE HAR VÆRET UDSAT FOR FORSØMMELSE, UKORREKT BEHANDLING, VEDLIGEHOLDELSE ELLER OPBEVARING, ÆNDRINGER FORETAGET UDEN INVACARE'S UDTRYKKELIGE SKRIFTLIGE SAMTYKKE (INKLUSIVE, MEN IKKE BEGRÆNSET TIL, ÆNDRINGER GENNEM BRUG AF UAUTHORISEREDE DELE ELLER TILBEHØR) ELLER TIL PRODUKTER, DER ER BLEVET BESKADIGET PÅ GRUND AF REPARATION AF EN HVILKEN SOM HELST KOMPONENT UDEN SPECIFIKT SAMTYKKE FRA INVACARE.**

Nota: Verificar todos os componentes para detectar qualquer tipo de avaria antes de utilizar. Em caso de avaria, NÃO utilizar e contactar o revendedor autorizado para mais informações.

### SUMÁRIO DE SEGURANÇA

Os avisos e as precauções aplicam-se a práticas prejudiciais que podem resultar em ferimentos pessoais ou em avarias.

#### AVISO

NÃO instalar este equipamento sem antes ler e compreender este manual. Se tiver dificuldades em compreender, por favor contacte o revendedor ou um técnico especializado antes de tentar instalar este equipamento. De outro modo, podem surgir avarias ou acidentes.

A posição das costas Personal Back na furação das bengalas está directamente relacionada com a estabilidade da cadeira. Quando as costas Personal Back são instaladas numa cadeira reclinável podem diminuir a estabilidade desta. Pode ser necessário o reposicionamento dos castores, das rodas traseiras, do ângulo, da reclinção e/ou da profundidade do assento antes de utilizar a cadeira. Seja extremamente cuidadoso ao sentar-se na cadeira.

Deve contactar um técnico especializado se tiver algumas dúvidas em relação a limitações e necessidades individuais.

Este contacto faz com que as costas Personal Back sejam as ideais para si.

À medida que as necessidades se tornam mais complexas, é importante que as costas Personal Back sejam bem avaliadas.

#### NOTA

A informação contida neste manual pode ser alterada sem aviso prévio.

### INTRODUÇÃO

As costas Personal Back são desenhadas para oferecer ao utilizador uma postura correcta e um alinhamento da coluna. A cobertura é feita de um tecido à prova de água para proteger a espuma do interior.

### DETERMINAR A POSIÇÃO DE MONTAGEM PARA A INSTALAÇÃO DAS COSTAS (FIGURA 1)

1. Retirar as costas Personal Back da embalagem.
2. Retirar os grampos de fixação das costas às bengalas da cadeira.
3. Para obter a altura de costas determinada pelo terapeuta (A), utilizar a seguinte fórmula (FIGURA 1):

<i>Altura total das costas determinada pelo terapeuta (A)</i>	<i>(-) Altura das Costas Personal Back (Área B)</i>	<i>(=) Distância entre as costas Personal Back e a almofada do assento (Área C)</i>
---	---	---

<i>Distância entre as costas Personal Back e a almofada do assento (Área C)</i>	<i>(+) Distância entre o fundo das costas e a furação para os grampos de fixação (Área D)</i>	<i>(=) Posição do grampo de fixação (Área E)</i>
---	---	--

4. Medir a altura total das costas Personal Back (Área B).
5. Subtrair a Área B da altura total determinada pelo terapeuta. Isto dá-lhe a Distância entre o fundo das costas Personal Back e a almofada do assento (Área C).
6. Medir a distância da Área D.
7. Adicionar a Área D à Área C. Isto vai determinar qual é a altura adicional necessária e a também a Área E.
8. Medir a distância entre a almofada do assento e as bengalas da cadeira (Área E, Passo 7) e marcar (**nos dois lados**) no interior das bengalas.

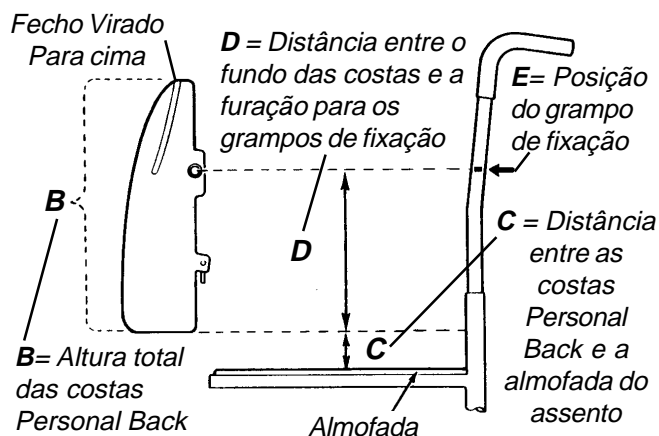


FIGURA 1 – DETERMINAR A POSIÇÃO DE MONTAGEM PARA A INSTALAÇÃO DAS COSTAS

## INSTALAÇÃO DAS COSTAS PERSONAL BACK

Este Conjunto tem o seguinte material:

DESCRIÇÃO	QUANTIDADE
Placas de montagem Multiposicionais	2
Parafusos curtos tipo Phillips	4
Porcas de Nylon	4
Parafusos Longos	4
Porcas Standard	4
Suportes em forma de "L"	2
Encaixes de Grampos	4
Grampos para Bengalas de 25mm de diâmetro	4

*NOTA: Nem todas as partes são necessárias para cada instalação. Ler as instruções cuidadosamente*

### AVISO

**NÃO** tentar modificar os grampos para os tubos de 25mm para caberem em tubos de 19mm de diâmetro.

### Instalação em Cadeiras com Bengalas de 25mm de diâmetro (Figura 2)

<b>Ferramentas Necessárias:</b>	
Chave "Allen" de 1/8" (32.5mm)	
Chave de porcas de 3/8" (9mm)	
<b>Material Necessário:</b>	<b>Quantidade</b>
Placas de montagem Multiposicionais	2
Grampos p/ Bengala de 25mm	4
Encaixes de Grampos	4
Porcas de Nylon	4
Parafusos Longos	4

- Determinar a altura das costas. Para tal, ver as instruções da FIGURA 1.
- Inserir dois parafusos longos (a partir do interior) nos furos das placas de montagem e, depois pelos grampos. Apertar as porcas para segurar os grampos.
- Fazer uma das seguintes opções:
  - Os grampos estão presos - passar ao passo seguinte.
  - Os grampos estão soltos - ver a FIGURA 3.

*NOTA: Os grampos devem apertar na bengala.*

- Repetir o procedimento para o outro lado da cadeira, assegurando-se de que os dois lados estão paralelos e iguais em altura.

- Verificar se todas as porcas estão apertadas.

*NOTA: Os grampos ajustam-se facilmente desapertando os parafusos e deslizando-os para cima ou para baixo conforme pretendido.*

- Instalar as Costas. Ver FIGURA 5.

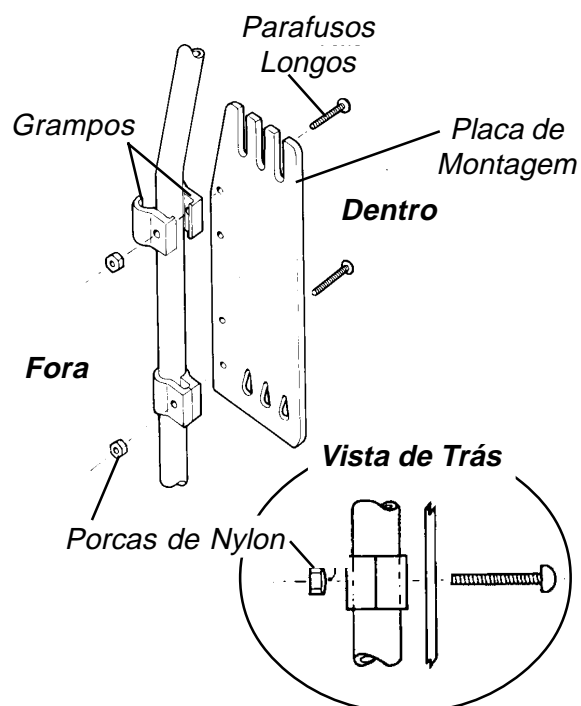


FIGURA 2 - INSTALAÇÃO EM CADEIRAS COM BENGALAS DE 25MM DE DIÂMETRO

### Instalação em cadeiras com bengalas de 22mm de diâmetro (FIGURA 3)

*NOTA: Este procedimento só deverá ser feito se os grampos das bengalas forem demasiado largos para a tubagem.*

- Inserir dois parafusos longos (a partir do interior) nos furos da placa de montagem e, depois pelos grampos. Ver FIGURA 2.
- Posicione um encaixe na bengala com a abertura virada para a parte de trás da cadeira.
- Deslizar os grampos até estes rodearem o encaixe. Ver FIGURA 3 Detalhe "A".
- Apertar as porcas para segurar os grampos.
- Fazer uma das seguintes opções:
  - Os grampos estão presos - passar ao passo seguinte.
  - Os grampos estão soltos - ver a FIGURA 4.
- Repetir os passos 1 a 4 para os restantes grampos, assegurando-se de que os dois lados estão paralelos e iguais em altura.
- Instalar as Costas. Ver FIGURA 5

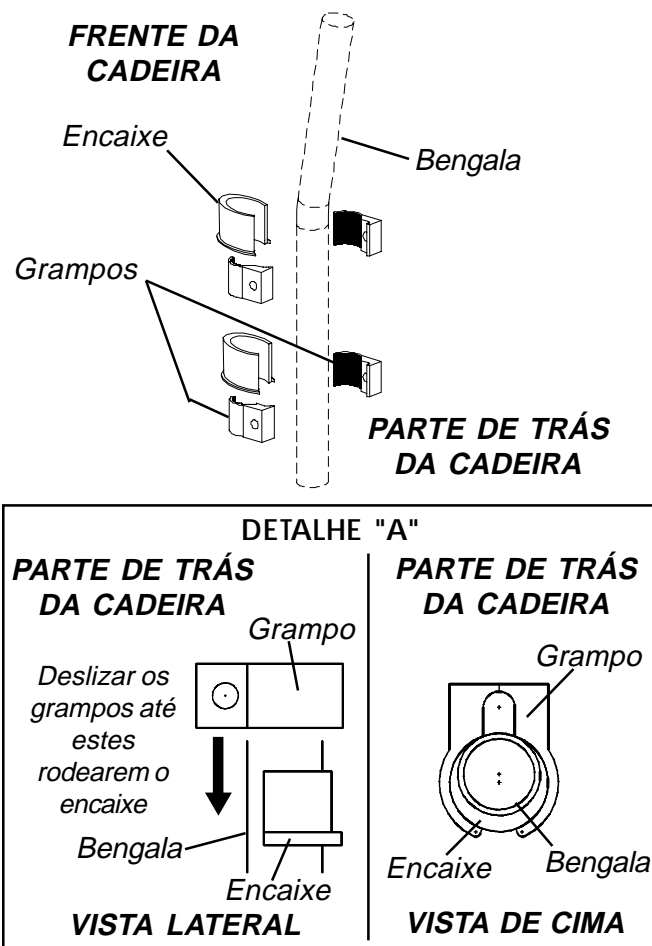


FIGURA 3 - INSTALAÇÃO EM CADEIRAS COM BENGALAS DE 22MM DE DIÂMETRO

### Instalação em Cadeiras de Rodas utilizando os Suportes em forma de "L" (FIGURA 4)

<b>Ferramentas Necessárias:</b> Chave "Allen" de 1/8" (32.5mm) Chave de porcas de 3/8" (9mm)	
<b>Material Necessário:</b>	<b>Quantidade</b>
Placas de montagem Multiposicionais	2
Suportes em forma de "L"	2
Parafusos pequenos tipo Phillips	4
Porcas de segurança	4

1. Determinar a altura das costas. Para tal, ver as instruções da FIGURA 1.
2. Prender os suportes em forma de "L" às bengalas utilizando os furos para o encosto e o material existente.
3. Assegure-se de que a placa de montagem, quando instalada no suporte, está 1.2cm mais alta do que a marca determinada no passo 8 da Detalhe A da FIGURA 4.

4. Inserir dois parafusos pequenos (a partir do interior) nos furos da placa de montagem e, depois pelo suporte em forma de "L". Apertar as porcas de segurança para prender a placa de montagem ao suporte.
5. Repetir o procedimento para o outro lado, assegurando-se de que os dois lados estão paralelos e iguais em altura.
6. Instalar as Costas. Ver FIGURA 5.

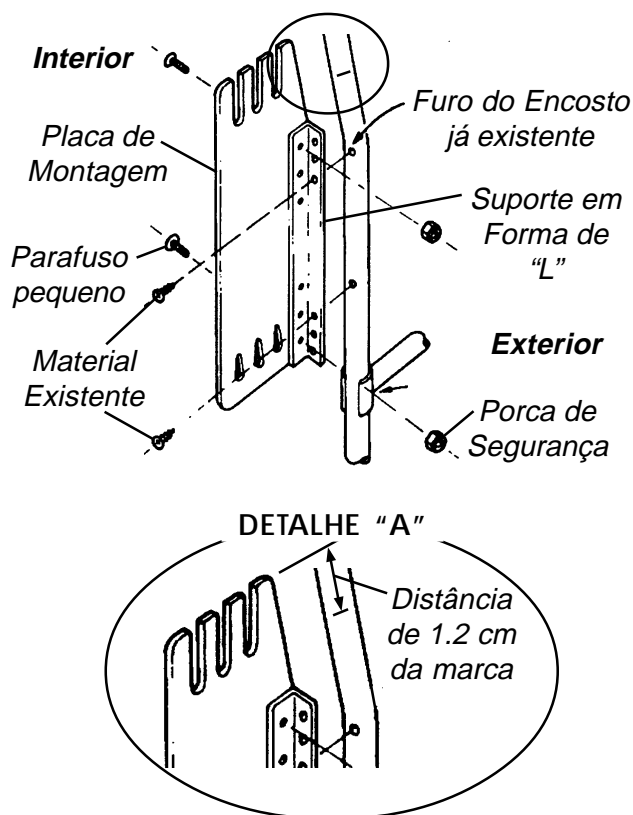


FIGURA 4 - INSTALAR EM CADEIRAS UTILIZANDO SUPORTES EM FORMA DE "L"

## UTILIZAÇÃO DAS COSTAS PERSONAL BACK

As Costas Personal Back incluem um encosto lombar e dois laterais em espuma presos a uma estrutura traseira com fechos de segurança que oferecem uma capacidade posicional adicional. Para aceder ao encosto e aos laterais, abrir o fecho e puxar a espuma para a frente, retirando-a da estrutura traseira. Desse modo pode fazer alterações ao encosto e aos laterais.

## INSTALAÇÃO DAS COSTAS PERSONAL BACK E PERSONAL BACK PLUS (FIGURA 5)

### AVISO

A posição das costas Personal Back na furação das bengalas está directamente relacionada com a estabilidade da cadeira. Quando as costas Personal Back são instaladas numa cadeira reclinável podem diminuir a estabilidade desta. Pode ser necessário o reposicionamento dos castores, das rodas traseiras, do ângulo, da reclinção e/ou da profundidade do assento antes de utilizar a cadeira. Seja extremamente cuidadoso ao sentar-se na cadeira.

1. Instalar as Costas na placa de montagem de modo a que os rebites se encaixem nas aberturas apropriadas.
2. Virar o fecho de segurança até este se alinhar com o furo na placa de montagem.
3. Inserir o fecho num dos três furos existentes na placa de montagem.
4. Para prender, virar o fecho para baixo.

### AVISO

Assegure-se de que o fecho está bem preso. Se tal não acontecer, as costas podem-se soltar.

5. Impeça os fechos de rodar, prendendo-os com as tiras na traseira da estrutura.
6. Para tirar as costas, reverter os passos 1 a 5.

*NOTA: Marque as posições de montagem, superior e inferior, para referência futura por parte de familiares ou pessoas que prestam serviços.*

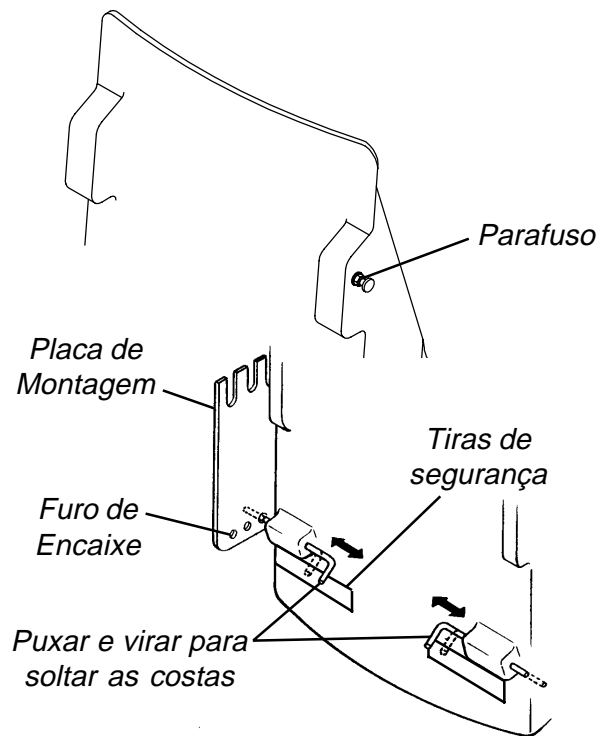


FIGURA 5 - INSTALAÇÃO DAS COSTAS  
PERSONAL BACK E PERSONAL BACK PLUS

### Instalação do Apoio de Cabeça

Os apoios de cabeça podem ser colocados nas Costas Personal Back. Para tal, DEVE ser utilizada uma placa de reforço para a cabeça. Esta é vendida separadamente.

## MANUTENÇÃO DAS COSTAS PERSONAL BACK

### AVISO

NÃO utilize este produto se descobrir algum problema. Contacte o seu revendedor para solicitar o arranjo das costas.

### Instruções de Limpeza

#### COSTAS.

Limpar semanalmente com um pano húmido. Limpar toda a superfície.

Inspeccionar semanalmente o material incluindo o suporte, a espuma (se esta estiver acessível), o estofado e os plásticos, procurando deformações, corrosão, gasto, compressão e roturas.

Verificar todos os fechos semanalmente para se assegurar de que os mecanismos estão seguros.

---

**COBERTURA.****CUIDADO**

Lavar à máquina a baixa temperatura. Utilizar o ciclo de lavagem delicado. NÃO utilizar amaciadores ou lixívia. NÃO secar na máquina. Secar ao ar e fora do sol.

**AVISO**

A cobertura é desenhada para proteger a espuma contra a incontinência e é ignífuga, portanto é necessária a utilização constante da cobertura. Se esta se romper, deverá ser substituída.

**ESPUMA.**

Se a espuma interior se contaminar devido a incontinência, é necessário trocar as costas, porque a espuma é absorvente e não pode ser limpa. A Espuma não pode ser trocada independentemente, já que está colada à estrutura das costas.

---

**GARANTIA LIMITADA PARA PORTUGAL**

A Invacare (Portugal), Lda. atribui às Costas Personal Back e Personal Back Plus a garantia de um (1) ano, após a sua comercialização ao cliente final, contra qualquer defeito de fabrico.

A Garantia não será válida para utilização indevida do produto, bem como seu mau armazenamento ou manuseamento.

O Cupão de Garantia contido neste manual deve ser devidamente preenchido e devolvido à Invacare (Portugal), Lda. num prazo máximo de um (1) mês. Caso isto não aconteça, a garantia ficará automaticamente sem efeito.

Em caso de qualquer dúvida, por favor contacte o seu Revendedor ou a Invacare (Portugal), Lda.



**Kokoaminen, käyttö- ja hoito-ohje**

Finnish

**HUOM!** Varmista ettei tavara kuljetuksen aikana ole vahingoittunut. Jos tavara on vaurioitunut kuljetuksessa älä käytä sitä. Ota yhteyttä tavaran toimittajaan.

**TURVALLISUUSTOIMENPITEET**

Turvallisuustoimenpiteiden tarkoituksena on estää käyttövirheet jotka voivat johtaa henkilö- tai tuotevahinkoihin.

**VAROITUS**

Älä käytä tätä tuotetta ennen kuin olet tutustunut käyttöohjeeseen. Jos sinulla on vaikeuksia seurata ohjeita ota yhteyttä terveyskeskukseesi tai Invacaren /Scandinavian Mobilityn asiakaspalveluun tai tekniseen neuvontaan ennen tuotteen käyttöönottoa onnettomuuksien ja vahinkojen välttämiseksi.

Selkäosan asennus muutta pyörätuolin tasapainoa. Pyörätuolista tulee sitä kaatumisalttiimpi mitä taaemmaksi kaatumistuki asetetaan, siksi voi olla tarpeellista tehdä tiettyjä säätöjä pyörätuoliin selkätuen asentamisen jälkeen, esim. siirtää pyörätuolin kelauspyörää taaksepäin ja asentaa kaatumisesteet. Muutetun istumisasennon jälkeen on syytä olla varovainen.

Älä säädä pyörätuolia itse, vaan ota yhteyttä terapeuttiisi tai yhteyshenkilöosi.

Yhteistyö terapeutin, käyttäjän ja huollon kanssa on paras tapa varmistua siitä että Personal Back vastaa yksilöllistä tarvetta.

Mitä vaativampi on yksilöllinen tarve sitä tärkeämpää on valita oikeanlainen selkätuki.

**HUOMIO**

Tämän käyttöohjeen tietoja voidaan muuttaa ilman ennakoilmoitusta.

**JOHDANTO**

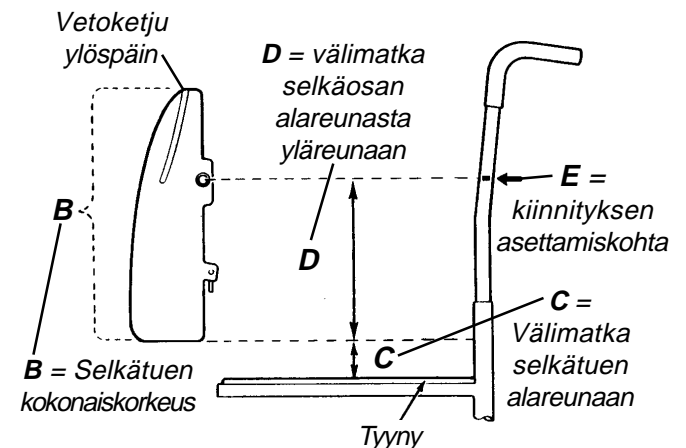
Personal Back kehitetty antamaan hyvä istumisasento. Päälyys on vedenpitävää kangasta joka suojelee vaahtomuovia kosteudelta.

**SELKÄTUEN OIKEAN PAIKAN MÄÄRITTÄMINEN (KUVA 1).**

- Poista vanha selkärätti pyörätuolin selkäosan putkista.
- Ota selkätuki paketista.
- Selkätuen korkeuden säätämiseksi, seuraa allaolevaa taulukkoa (Taulukko 1):

<i>Toivottu selkäosan korkeus (A)</i>	<i>(-)Pyörätuolin kokonaiskorkeus (mitta B)</i>	<i>(=) välimatka istuin-osan yläreunan ja selkäosan alareunan välillä (mitta C)</i>
<i>Välimatka istuin-osan yläreunan ja selkäosan alareunan välillä (mitta C)</i>	<i>(+) Välimatka selkäosan alareunan ja selkätuen ylemmän kiinnityksen välillä (mitta D)</i>	<i>(=) Ylemmän kiinnityksen asettamis-kohta (mitta E)</i>

- Mittaa selkätuen kokonaiskorkeus (mitta B).
- Vähennä selkäosan kokonaiskorkeus (mitta B) halutusta kokonaiskorkeudesta (A). Tästä saat etäisyyden selkäosan alareunan ja istuintyynyn yläreunan välillä (Mitta C).
- Mittaa selkätuen alareunan ja selkätuen yläreunan väli (mitta D).
- Lisää mitta D(kohta 6) + mitta C(kohta 5). Tästä saat mitan selkätuen ylemmälle kiinnityskohdalle (mitta E).
- Mittaa tyynyn yläreunasta kun merkitset kiinnityksen asentamiskohtaa selkäosan putkiin (Mitta E, KOHTA 7) ja merkitse asentamiskohta molempiin putkiin.



**KUVA 1 – SELKÄOSAN OIKEAN PAIKAN MÄÄRITTÄMINEN**

## SELKÄOSAN ASENTAMINEN

Asennussarja sisältää seuraavat osat:

KUVAUS	MÄÄRÄ
Monitoimi asennuslevy	2
Lyhyt kiinnityspultti	4
Nylon lukkomutteri	4
Pitkä kiinnityspultti	4
Vakiomutteri	4
L-kiinnitysrauta	2
Putkikiinnittimen sovitepala	4
Putkikiinnike 25 mm putkelle	4

**HUOM!** Kaikkia mukana tulevia osia ei aina tarvita koska asennusvaihtoehtoja on useita. Lue käyttöohjeet huolellisesti.

### VAROITUS

Älä yritä muotoilla 25 mm putkikiinnikettä sopimaan 19 mm putkeen.

### Asentaminen pyörätuoliin, jossa on 25 mm selkänojaputket (KUVA 2).

Varaa seuraavat työkalut asentamiseen:	
3 mm kuusiokoloavain	
10 mm kiintoavain	
Tarvittavat osat	Määrä
Monitoimi asennuslevy	2
25 mm putkikiinnike	4
Putkikiinnikkeen sovitepala	4
Pitkä pultti	4
Nylon lukkomutteri	4

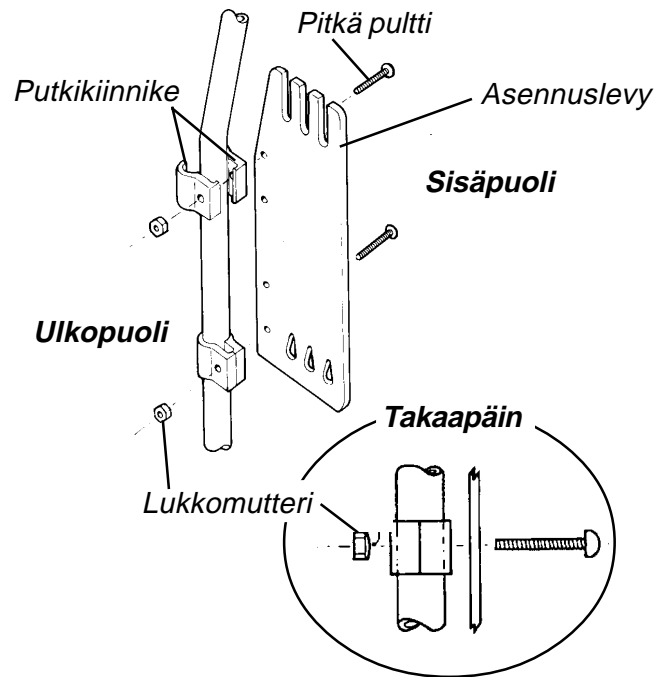
- MÄÄRITÄ SELKÄOSAN KORKEUS.
- Aseta kaksi (2) pitkää pulttia (sisäpuolelta) läpi kiinnityslevyn, sitten läpi putkikiinnikkeiden. Kiristä muttereilla paikalleen.
- Suorita yksi (1) toimenpide seuraavista
  - Kiinnikkeet kiristetty – katso seuraava kohta.
  - Kiinnittimet löysällä, katso kohta PAIKALLEEN ASENTAMINEN HALKAISIJALTAAN 22 MM SELKÄNOJAPUTKIIN.

**HUOM!** Kiinnikkeiden on oltava suoraan selkäosaputkia päin

- Asenna samalla tavalla toinen puoli ja varmista että molemmat sivut ovat samalla korkeudella ja keskenään samansuuntaisia.
- Varmista että mutterit on kiristetty.

**HUOM!** Putkikiinnikkeet on helppo säätää löysäämällä kiinnityspultteja ja sitten etsiä sopiva korkeus liikuttamalla putkikiinnikkeitä ylös tai alaspäin.

- Kiinnitä Personal Back. Katso kohta PERSONAL BACK/PERSONAL BACK PLUS KIINNITTÄMINEN.

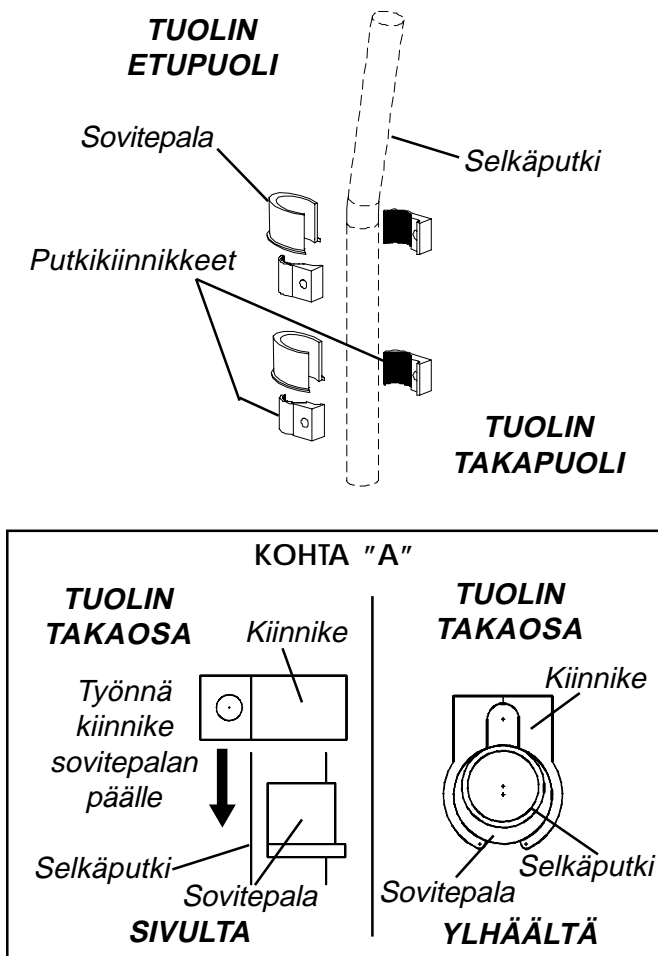


KUVA 2 ASENTAMINEN PYÖRÄTUOLIIN, JOSSA ON 25 MM SELKÄNOJAPUTKET.

### Asentaminen pyörätuoliin, jossa on 22 mm selkänojaputket.

**HUOM!** Tämä toimenpide tulee suorittaa VAIN, jos putkikiinnikkeet ovat liian suuret selkänojaputkiin.

- Aseta kaksi (2) pitkää pulttia (sisäpuolelta) ensin läpi kiinnityslevyn, sitten läpi putkikiinnikkeiden (KUVA 2).
- Aseta yksi (1) sovitepala selkäputkeen niin, että avoin puoli osoittaa tuolin taakse.
- Työnnä putkikiinnikkeet kokonaan sovitepalan päälle, katso KUVA 3 kohta "A".
- Kiristä mutterit, jolloin kiinnikkeet lukittuvat.
- Suorita yksi (1) toimenpide seuraavista:
  - Putkikiinnikkeet kiristetty – katso seuraava kohta.
  - Putkikiinnikkeet löysällä, katso kohta PAIKALLEEN ASENTAMINEN L-RAUTAA KÄYTTÄEN.
- Toista kohdat 1-4 varmistaen, että molemmat puolet ovat samalle korkeudelle säädetty ja kumpikin samoin asennettu.
- Kiinnitä Personal Back. Katso kohta PERSONAL BACK/PERSONAL BACK PLUS KIINNITTÄMINEN.



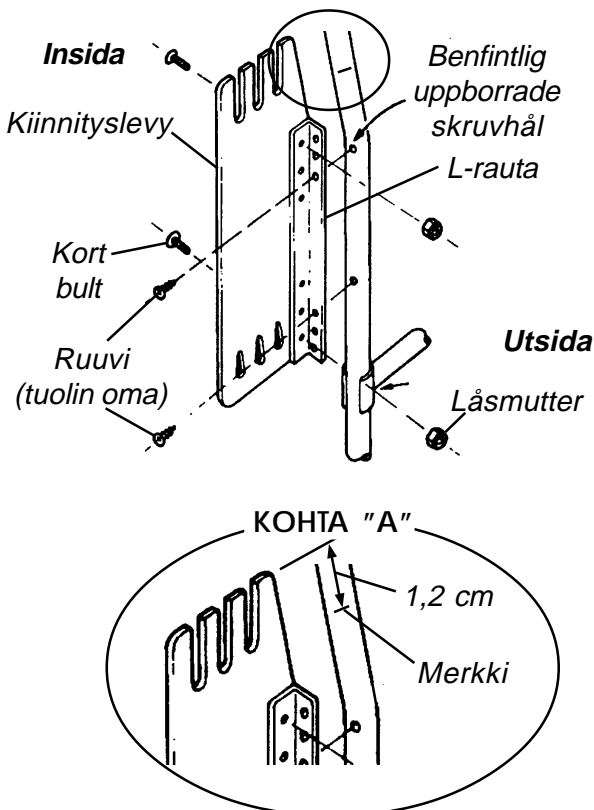
KUVA 3 - ASENTAMINEN PYÖRÄTUOLIIN, JOSSA ON 22 MM SELKÄNOJAPUTKET.

### Asentaminen pyörätuoliin L-rautaa käyttäen (KUVA 4).

<b>Varaa seuraavat työkalut asentamiseen:</b> Ruvimeisseli (Phillips-ristipää) 10 mm kiintoavain	
<b>Tarvittavat osat</b>	<b>Määrä</b>
Monitoimi asennuslevy	2
L-kiinnitysrauta	2
Lyhyt kiinnityspultti	4
Lukkomutteri	4

1. Määritä selkäosan korkeus. Katso kohta SELKÄTUEN OIKEAN PAIKAN MÄÄRITTÄMINEN.
2. Asenna L-raudat selkäputkiin käyttäen putken valmiita reikiä ja ylimääräisiä ruuveja.
3. Kiinnitä monitoimilevy L-rautaan niin, että levyn yläreuna on 1,2 cm korkeammalla kuin merkki, joka määritettiin kohdassa 8, SELKÄTUEN OIKEAN PAIKAN MÄÄRITTÄMINEN (KOHTA "A" KUVA 4).

4. Aseta kaksi (2) lyhyttä pulttia (sisäpuolelta) ensin läpi kiinnityslevyn, sitten läpi L-raudan. Kiristä lukkomuttereilla.
5. Toista toimenpide toisellekin puolelle varmistaen, että asennuskorkeus on oikea ja molemmat puolet samoin asennettu.
6. Kiinnitä Personal Back. Katso kohta PERSONAL BACK/PERSONAL BACK PLUS KIINNITTÄMINEN.



KUVA 4- PAIKALLEEN ASENTAMINEN PYÖRÄTUOLIIN L-RAUTAA KÄYTTÄEN.

## PERSONAL BACKIN KÄYTTÖ

Personal Back sisältää sivutukipalat – oikean ja vasemmanpuoleiset, jotka on helppo asettaa paikalleen tarranauhan avulla käyttäjän tarpeiden mukaisesti. Tuen saamiseksi avaa vetoketju ja työnnä vahtokumia eteenpäin. Tukea voi näin muuttaa käyttäjän tarpeen mukaan.

## PERSONAL BACK PERSONAL BACK PLUS KIINNITTÄMINEN (KUVA 5)

### VAROITUS

Personal Backin kiinnittämisenä 3:een erilaiseen paikkaan kiinnityslevyllä on suora vaikutus tuolin tasapainoon. Jos selkäosa asetetaan vinoon tai kallellaan olevaan tuoliin voi tasapaino kärsiä. Siinä tapauksessa voi olla aiheellista ennen tuolin käyttöönottoa muuttaa selän kallistuskulmaa, istuinsyvyyttä tai asentoa. Uuden istuma-asennon kanssa on oltava ERITYISEN varovainen.

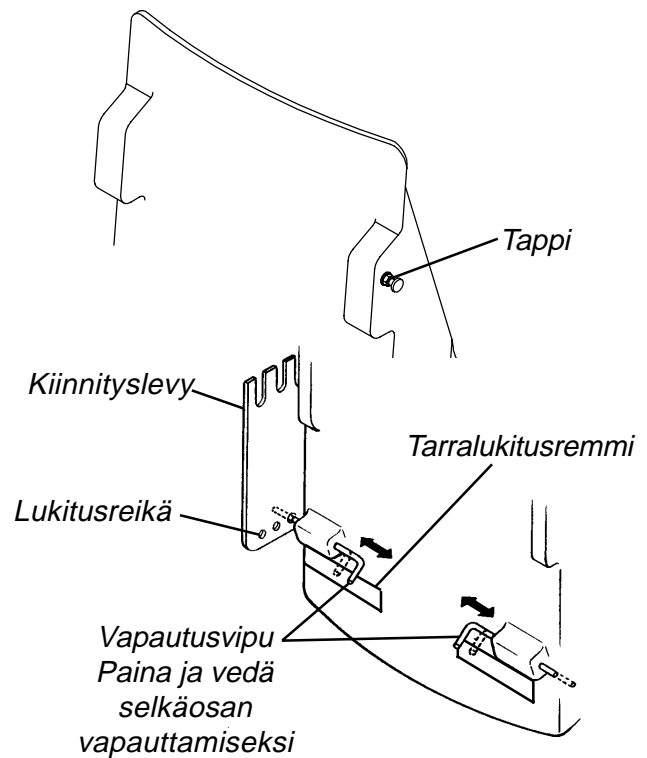
1. Aseta selkätuki paikalleen siten, että selkätuen ylätappi asettuu yhteen kiinnityslevyn yläurista.
2. Käännä selkätukea kunnes vapautusvipu on kohdakkain kiinnityslevyn pisarareikien kanssa.
3. Työnnä vapautusvipu johonkin kolmesta (3) pisaranmallisista rei'istä.
4. Lukitusta varten liikuta kiinnityslevyjä eteenpäin.

### VAROITUS

Tarkista että tarranauha joka pitää irtonaisia osia paikallaan on oikein kiinnitetty ja pysyy tiukasti paikallaan.

5. Varmista vapautusvipujen lukitusasento tarraremmeillä.
6. Selkäosan vapauttamiseksi tee kohdat 1-5 päinvastaisessa järjestyksessä.

*HUOM! Huomioi selkätuen paikka asennuslevyllä, jotta voit asentaa sen uudelleen jos joskus joudut irrottamaan sen.*



KUVA 5 – PERSONAL BACK/ PERSONAL BACK PLUS KIINNITTÄMINEN.

### Päätuen asennus

Personal Backiin voidaan asentaa päätuki. Päätukilevyä on silloin käytettävä ja sen voi tilata erikseen.

## HOITO-OHJE

### VAROITUS

Älä jatka tuotteen käyttöä jos ongelmia ilmenee.

### Puhdistus

#### SELKÄTUKI.

Puhdista pinta kostealla liinalla kerran viikossa.

Tarkista kaikki metalliosat kiinnikkeet, sovitepala, vahtomuovi ja muoviosat kerran viikossa.

Tarkista kerran viikossa että mekaaniset osat ovat ehjät ja tiukasti kiinnitettynä.

---

**YLEISTÄ.****VAROITUS**

Hienopesu 30\*. Lyhyt linkous. Käytä mietoa pesujauhetta. Ei huuhteluainetta tai valkaisuainetta. Ei koneellista kuivausta.

**VAROITUS**

Päällyskangas on suunniteltu suojaamaan vaahtomuovia inkontinenssilta ja se on paloturvallinen, tyynyä ei saa käyttää ilman päällyskangasta. Jos päällinen kuluu se täytyy vaihtaa uuteen.

**VAAHTOMUOVI.**

Jos vaahtomuovi likaantuu inkontinenssin takia on täyte poistettava koska muovi imee nesteensä sisään, eikä sitä voi pestä. Vaahtomuovia ei voi vaihtaa erikseen, koska se on kiinni selkätuessa.

---

**TAKUU**

Tämä takuu koskee alkuperäistä asiakasta eikä muuta laissa säädettyjä oikeuksia.

Invacare/Scandinavian Mobility AB takaa vaahtomuovin virheettömyyden kaksi vuotta (2) ostopäivästä. Tyynyn päällyskankaan takuu on voimassa 90 päivää ostopäivästä. Alkuperäiselle asiakkaalle/käyttäjälle Invacare/Scandinavian Mobility AB takaa että metalliset osat ovat virheettömiä materiaalina ja valmistuksena puolesta tuotteen koko elinkaaren ajan, lukuunottamatta puu, vaahtokumi tai ommeltuja osia. Jos tuote takuuajana osoittautuu vialliseksi (Invacare/Scandinavian Mobility AB:n edustajan tarkastuksen jälkeen) se korjataan tai vaihdetaan uuteen ( valinnan tekee Invacare/Scandinavian Mobility AB:n edustaja).

Takuupalvelua varten ottakaa yhteyttä Invacare/ Scandinavian Mobility AB palvelujen edustajaan työaikana. Kun Invacare/ Scandinavian Mobility AB palvelujen edustaja on saanut tiedon viallisesta tuotteesta, he pyytävät tuotteen palauttamista. Vialliset osat palautetaan takuutarkastusta varten sarjanumeroineen 30 päivän sisällä palautusvahvistuksesta. Älkää palauttako tuotteita tehtaalle ilman etukäteisilmoitusta.

**RAJOITUKSET JA POIKKEUKSET: YLLÄMAINITTU TAKUU EI KATA NORMAALIA KULUMISTA EIKÄ KÄYTÖSTÄ SYNTYNEITÄ VAURIOITA, EIKÄ MYÖSKÄÄN TUOTTEITA JOTKA OVAT VAHINGOITTUNEET ONNETTOMUUDESSA TAI JOS NIITÄ ON HUOLLETTU, HOIDETTU TAI SÄILYTETTY ASIAANKUULUMATTOMASTI, TAI TUOTTEITA JOITA MUUTETAAN ILMAN INVACARE/SCANDINAVIAN MOBILITYN KIRJALLISTA HYVÄKSYMISTÄ (MUKAANLUKIEN MUUTOKSET JOTKA ON JOTKA OVAT SEURAUSTA EI-HYVÄKSYTYISTÄ OSISTA) TAI TUOTTEET JOTKA OVAT VAHINGOITTUNEET KORJAUSTÖISSÄ JOITA ON TEHTY ILMAN ERITYISTÄ LUPAA INVACAREN/SCANDINAVIAN MOBILITY AB PALVELUJEN EDUSTAJALTA.**







**Invacare Corporation** [www.invacare.com](http://www.invacare.com)

**Poirier Groupe Invacare**  
Les Roches  
37230 Fondettes  
France  
(33) 2 47 62 64 66

**USA**  
One Invacare Way  
Elyria, Ohio USA  
44036-2125  
800-333-6900

Invacare and "Yes, you can" are trademarks of Invacare Corporation.  
© 2001 Invacare Corporation  
Form No. 92-46 Part No. 1034270 Rev E (1) 5/01